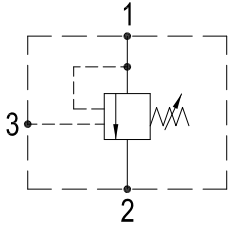


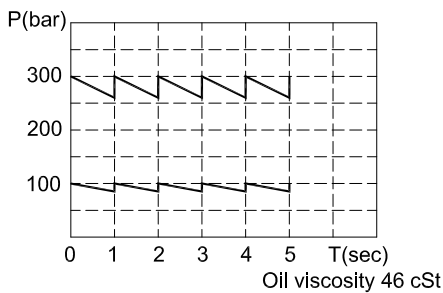
UNLOADING RELIEF VALVES IUR-FJ

HYDRAULIC DIAGRAM

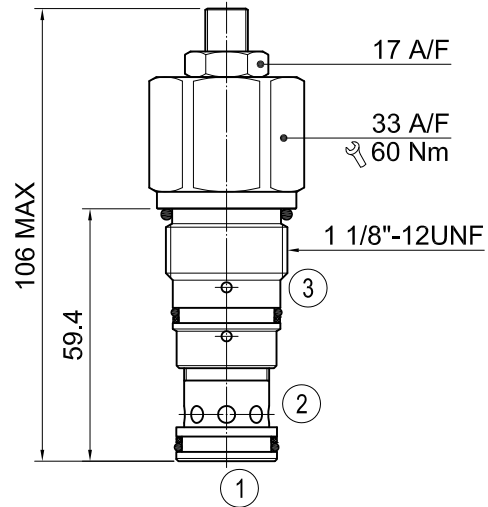


Type	Qnom (L/min)	Pmax (Bar)
IUR-FJ	60	350

RATING DIAGRAM



DIMENSIONS (mm)



Cavities: see cavity data AJJ-03

CODE NUMBER

IUR-FJ-01-L

Opening Pressure

- 1) 01 = 10-100 BAR
- 2) 02 = 35-200 BAR
- 3) 03 = 50-350 BAR

Manual Adjustment
(See Page ORDERING)
Omit for standard
cartridge valves

■ APPLICATION

This series valve allows to free the loading pressure from the oil source when pilot pressure achieves the setting value. The valve can also provide the use of overflow protection.

■ OPERATION

The adjustable spring-loaded ball in the pilot section is shifted at valve setting by pressure sensed through an orifice in the main spool from port 1. The resulting pilot flow creates a pressure drop across the spring-loaded main spool that then opens allowing relief flow to port 2. When pressure of port 3 reaches the setting value, allows flow from port 1 to port 2 without loading pressure. Port 1 will close and function as relief valves when pressure to port 3 reaches 85% of setting value.

■ PERFORMANCE

Unload/Reload setting range : 10-15%
 Rated Flow : 60 l/min Max. pressure : 350 bar
 Leakage : 35 ml/min
 Working temperature :
 Min. -20°C, Max. 90°C, with standard BUNAN gaskets
 Min. -20°C, Max. 120°C, with optional VITON gaskets on request

■ RECOMMENDATIONS

Fluid: best use mineral oil with viscosity ranging between 10 and 200 cSt
Filter: 25 micron or better
Cavities: see cavity data ST2A
Installation: before screwing the cartridge on the valve body, ascertain to provide suitable gasket lubrication with clean oil and also be sure to screw the cartridge manually in to reach against the gaskets in the valve body.

H B HYDRAULICS CO., LTD. reserves the variations and modifications of technical features and dimensions;
 and also reserves the right to stop production of each and any model listed in the catalogue with no notice.