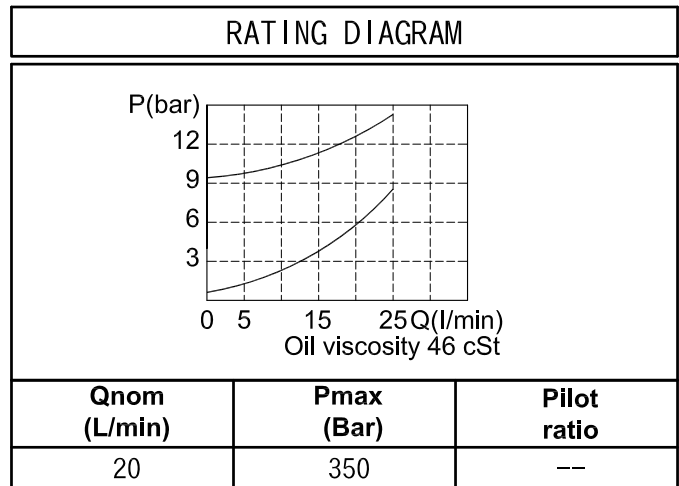
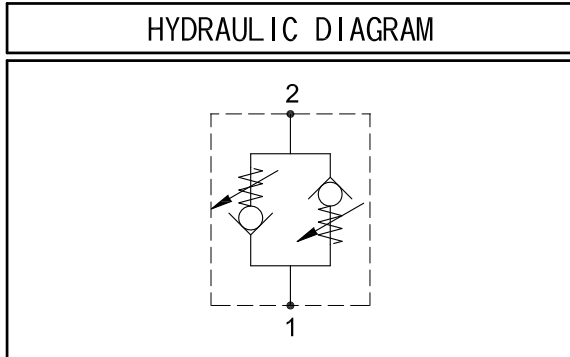
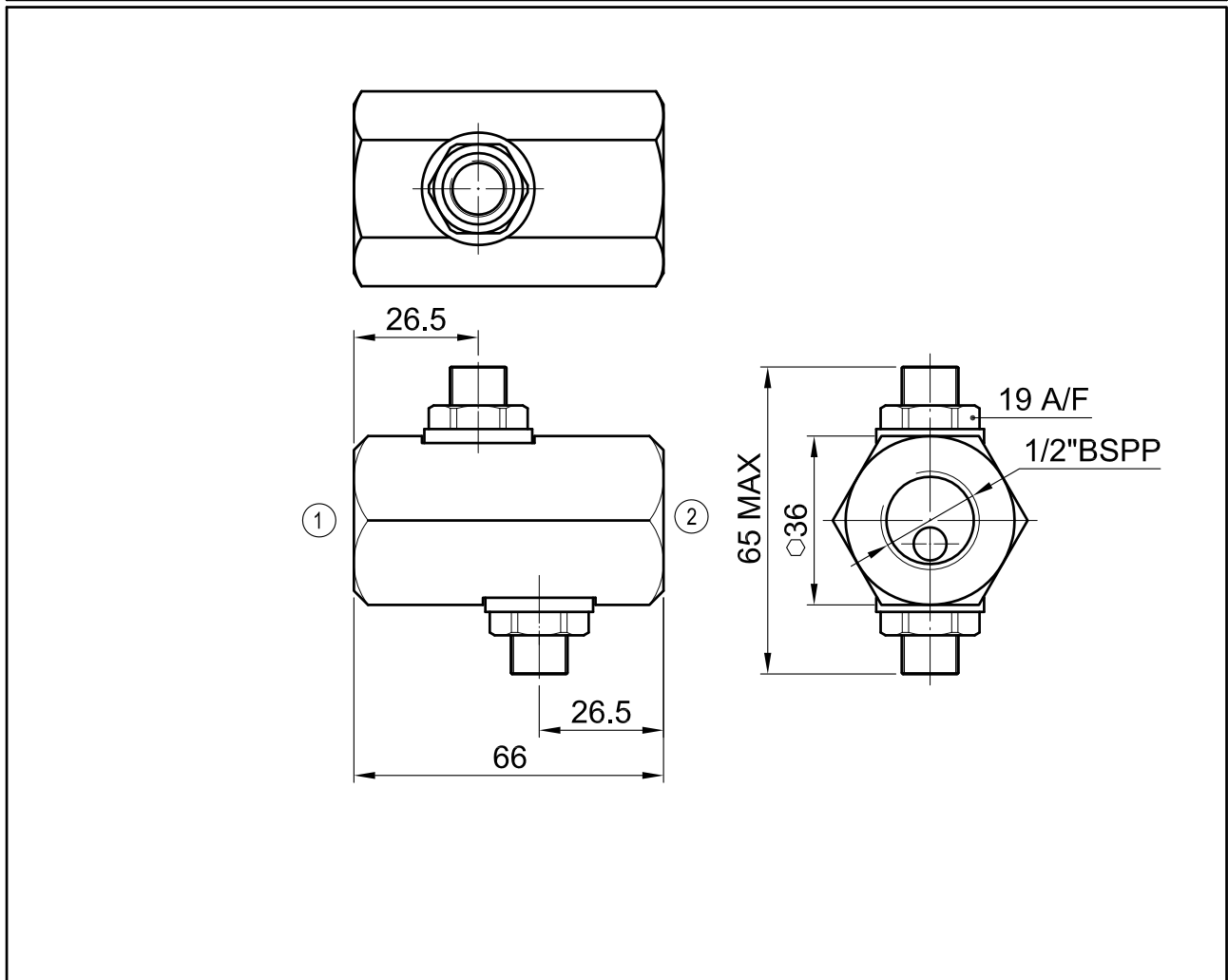


CHECK VALVES

CCD-12



DIMENSIONS ( mm )



**CCD-12-02**

Opening Pressure

- 1) 01 = 1-20 BAR
- 2) 02 = 10-60 BAR