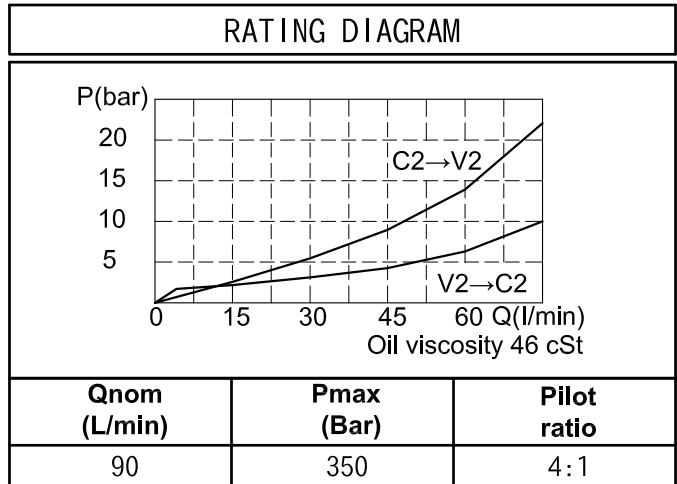
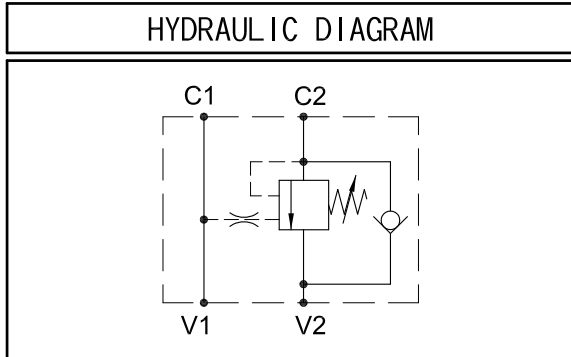




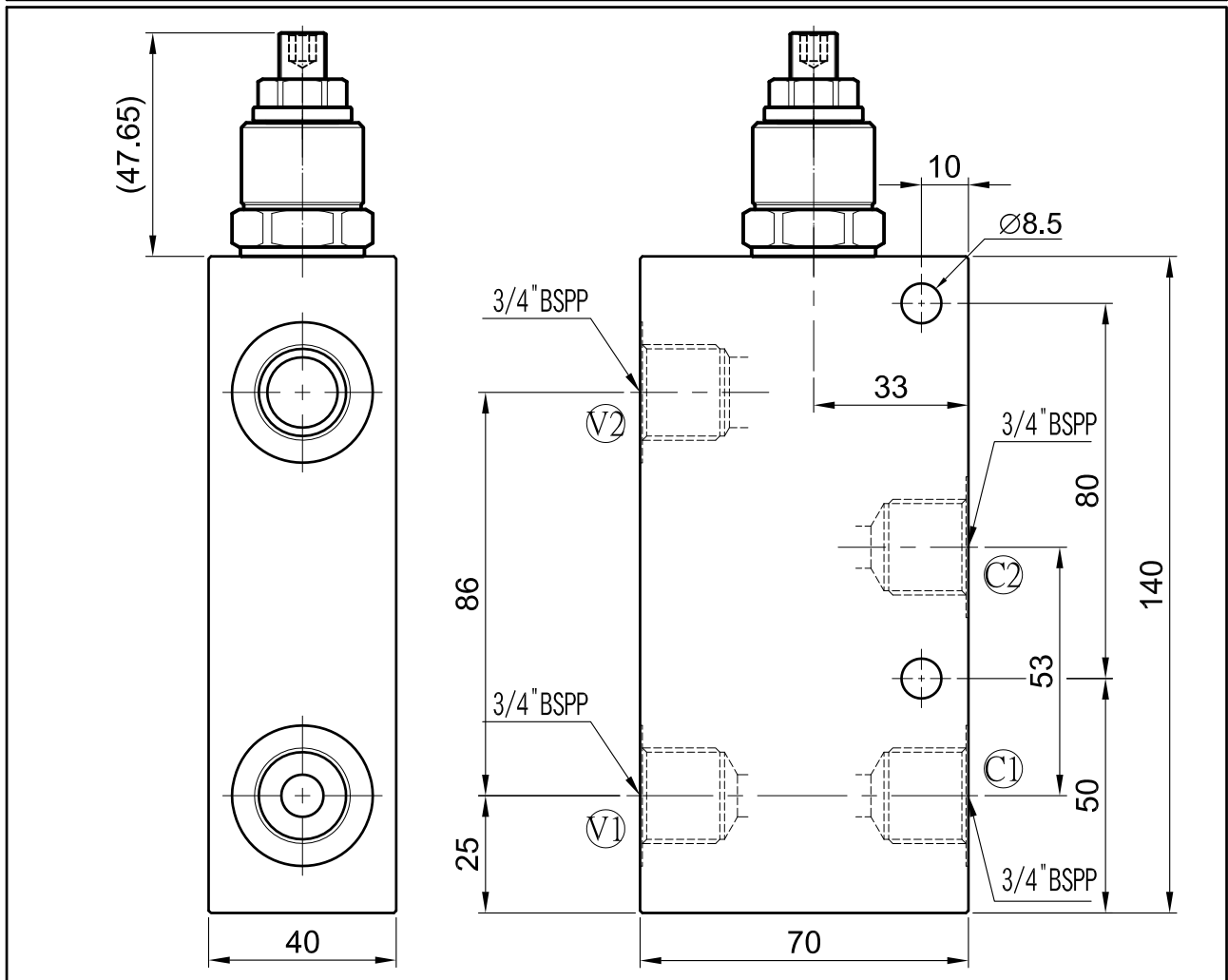
SYSTEM OF FLUID POWER

OVERCENTRE VALVES

COCS-I J-34-02-B-P4



DIMENSIONS (mm)



COCS-I J-34-02-B-P4

Pilot Ratio 4:1

Port Size
34=3/4" BSPP

Opening Pressure
02=10-350BAR