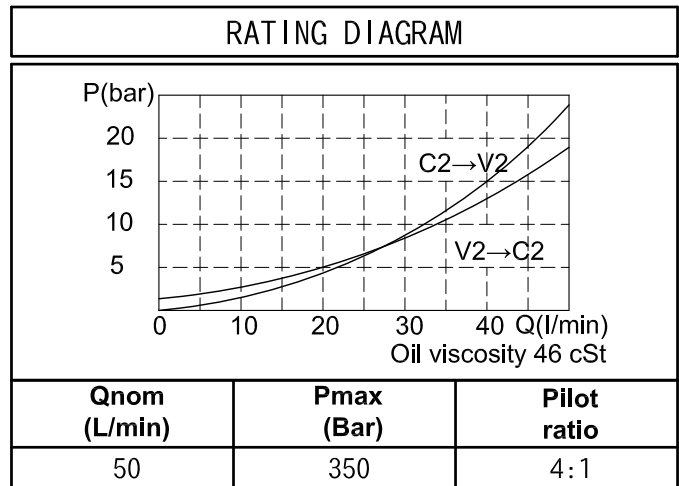
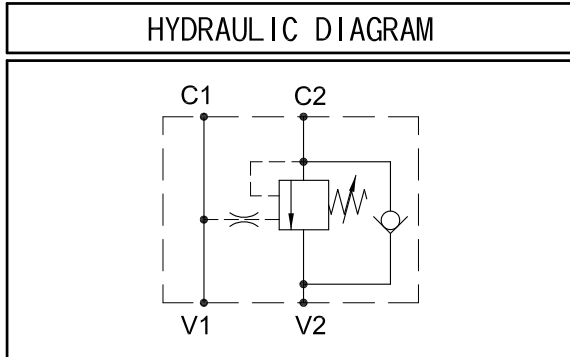
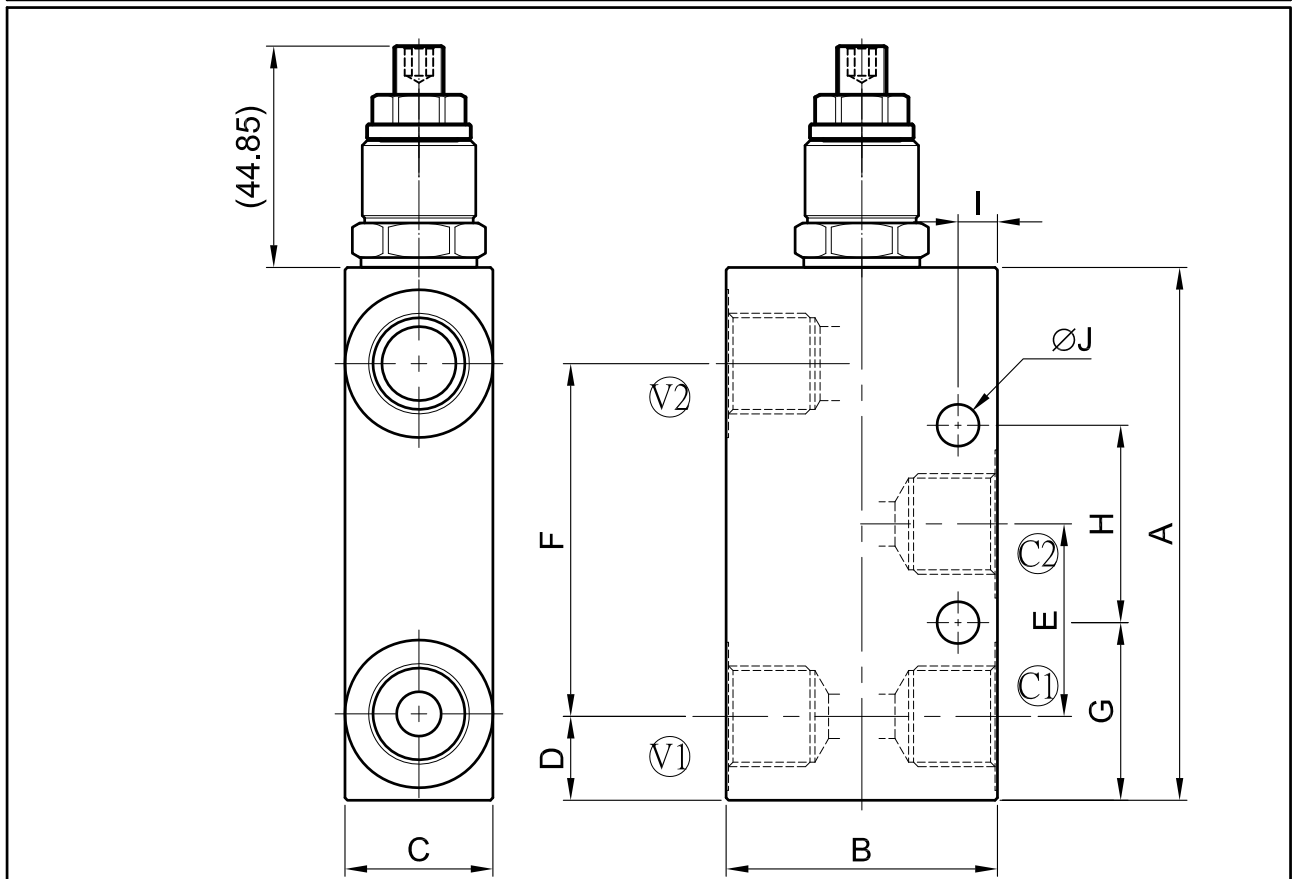


OVERCENTRE VALVES

COCS-EJ-38-02-B-P4



**DIMENSIONS ( mm )**



Type	A	B	C	D	E	F	G	H	I	J	C1,V2 C2,V2
COCS-EJ-38-02-B-P4	108	55	30	17	39	71.5	36	40	8	8.5	3/8" BSPP
COCS-EJ-12-02-B-P4	108	65	35	17	39	71.5	36	40	8	8.5	1/2" BSPP

**COCS-EJ-38-02-B-P4**

Pilot Ratio 4:1

Port Size

38=3/8" BSPP  
12=1/2" BSPP

Opening Pressure

02=10-350BAR