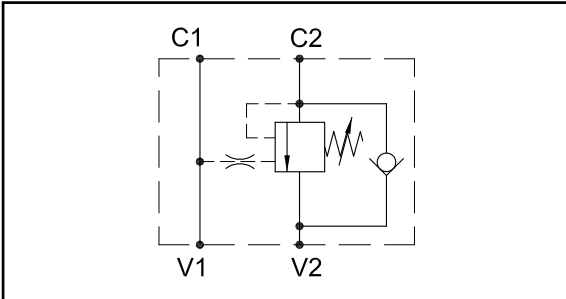


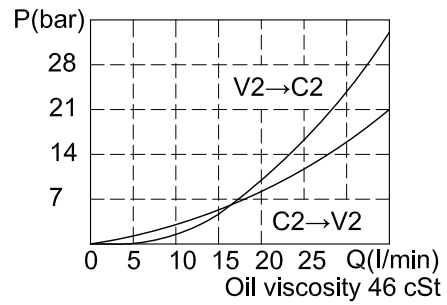
OVERCENTRE VALVES

COCS-CE-14-02-B-P4

HYDRAULIC DIAGRAM

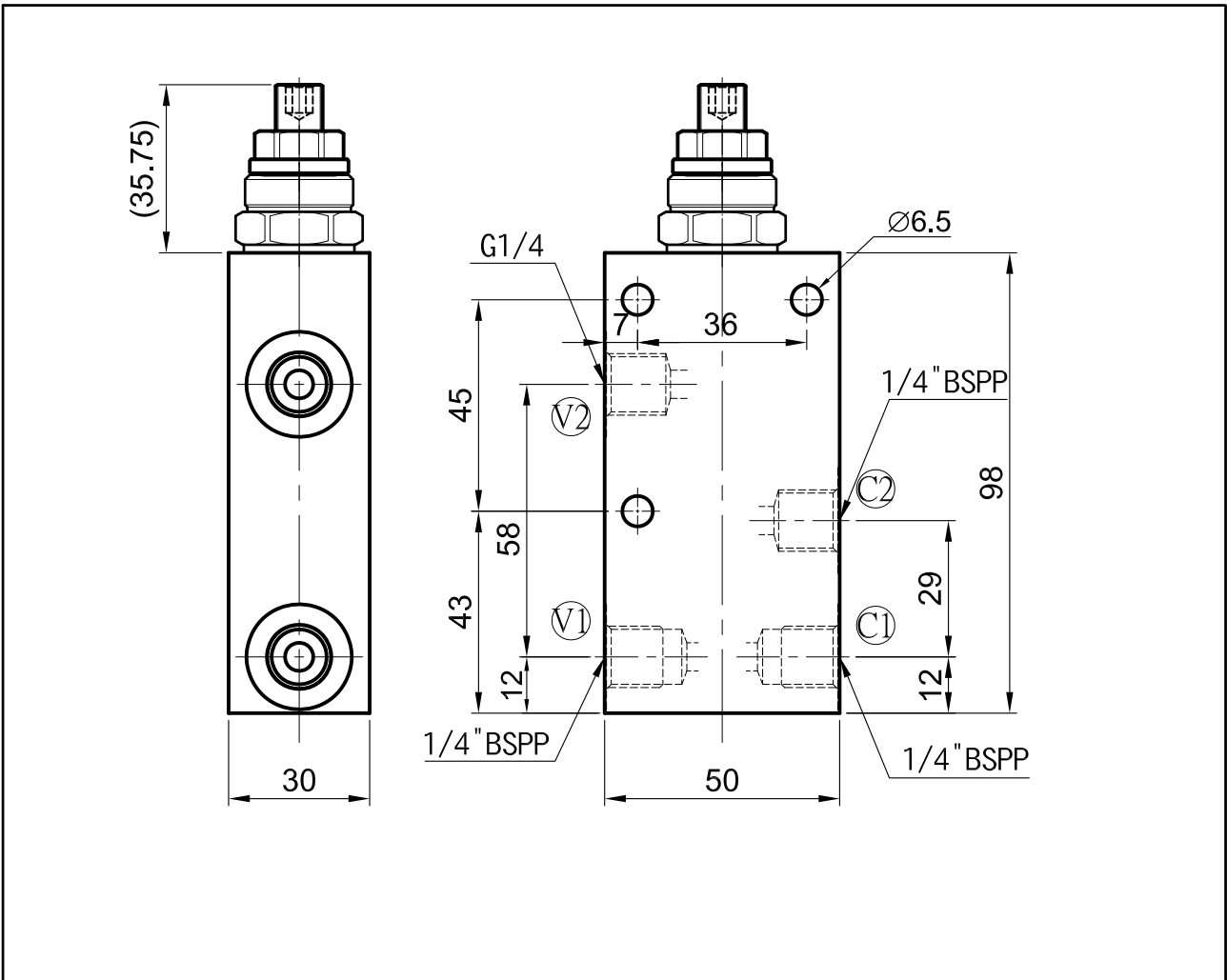


RATING DIAGRAM



Qnom (L/min)	Pmax (Bar)	Pilot ratio
35	350	4:1

DIMENSIONS (mm)



COCS-CE-14-02-B-P4

