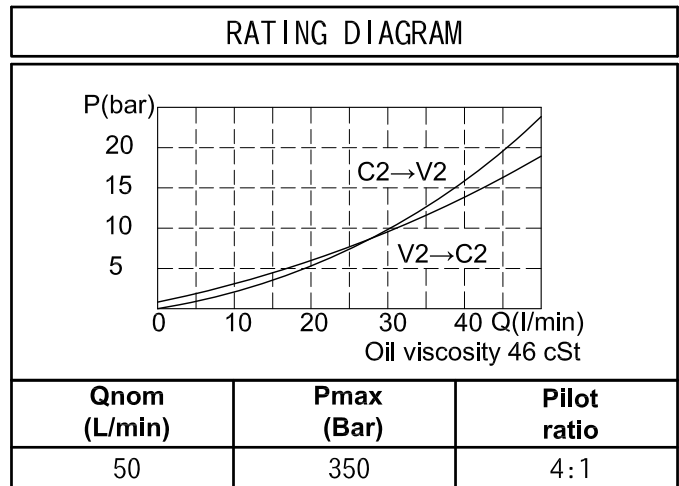
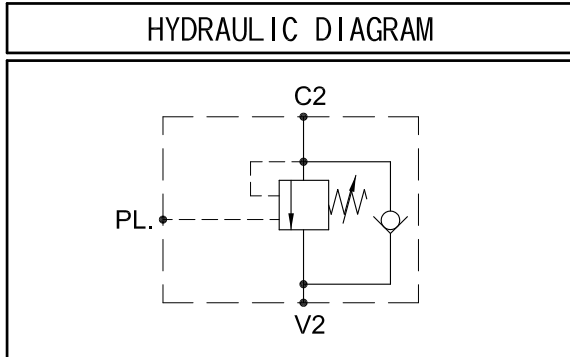
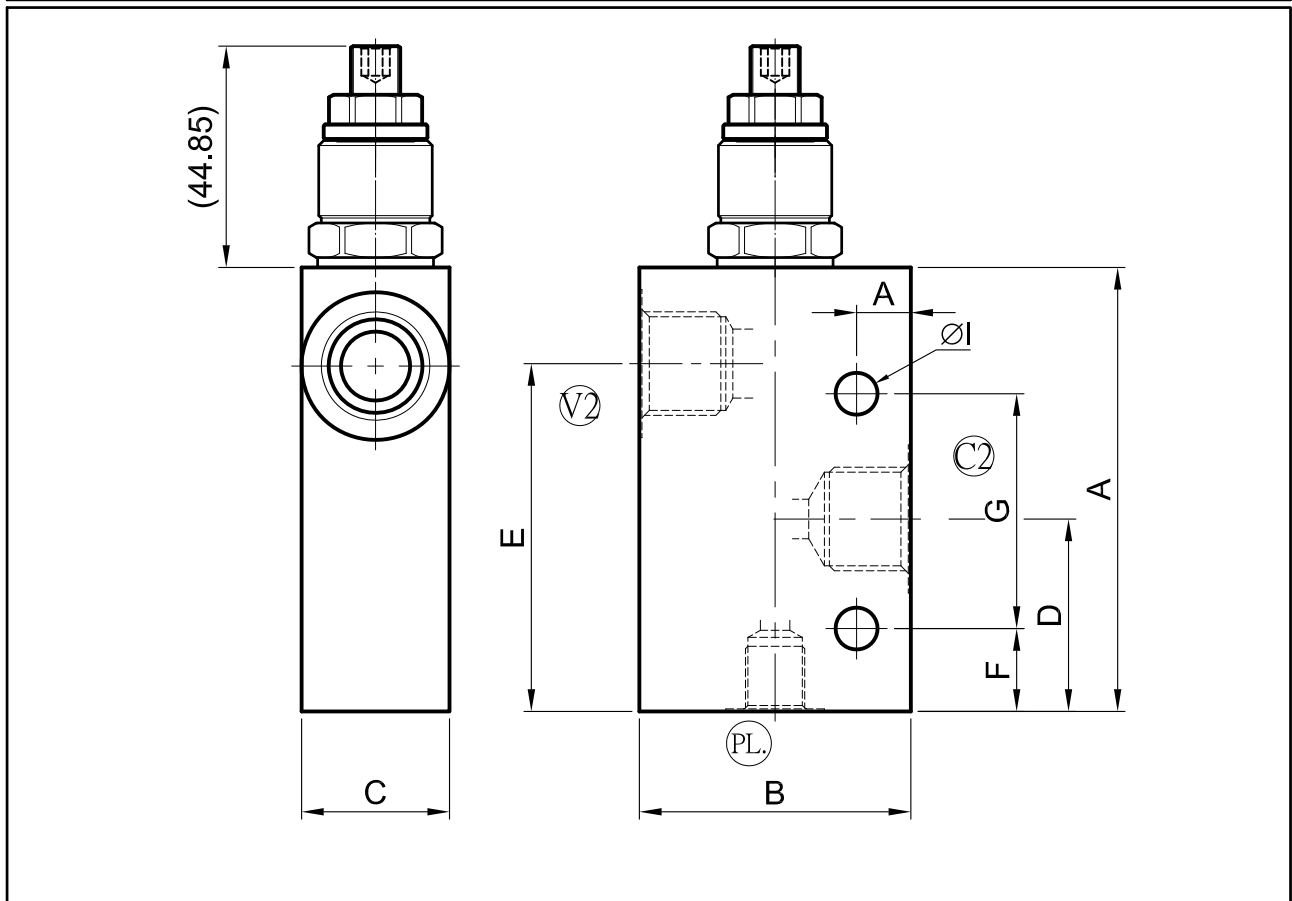


OVERCENTRE VALVES

COCS-EJ-38-02-A-P4



DIMENSIONS (mm)



Type	A	B	C	D	E	F	G	H	I	C2,V2	PL.
COCS-EJ-38-02-A-P4	90	55	30	39	70.5	16.8	47.6	11	8.5	3/8" BSPP	1/4" BSPP
COCS-EJ-12-02-A-P4	90	65	35	39	70.5	16.8	47.6	11	8.5	1/2" BSPP	1/4" BSPP

COCS-EJ-38-02-A-P4

Pilot Ratio 4:1

Port Size

38=3/8" BSPP
12=1/2" BSPP

Opening Pressure

02=10-350BAR