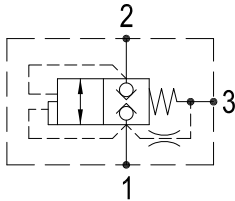


## LOGIC CARTRIDGE VALVES

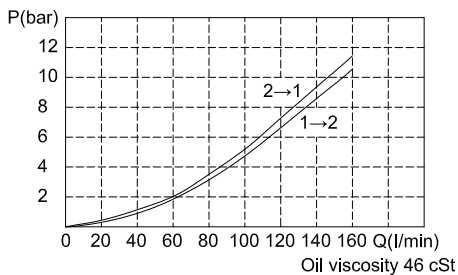
### IL-12

#### HYDRAULIC DIAGRAM

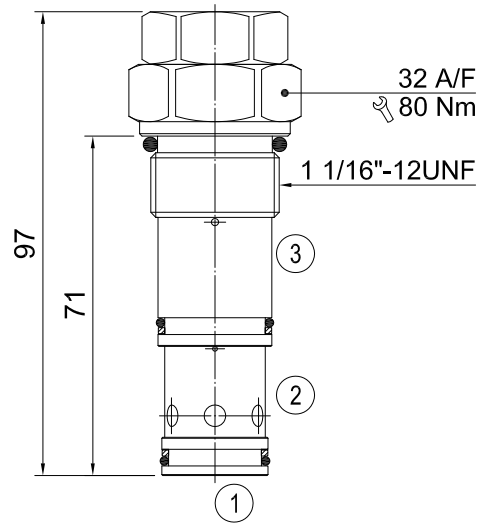


Type	Qnom (L/min)	Pmax (Bar)
IL-12	120	350

#### RATING DIAGRAM



#### DIMENSIONS (mm)



Cavities: see cavity data 12-03

#### CODE NUMBER

**IL-12-01**

Opening Pressure

- 1) 01 = 1 BAR
- 2) 02 = 3 BAR
- 3) 03 = 5 BAR

#### ■ APPLICATION

IL series is normal open type for directional control. Using the pressure variation of the pilot fluid, the valve is from open to close or from close to open, to ensure the safe function of the operation of the system.

#### ■ OPERATION

Valves of IL series are 2-port and have unbalanced ratio of poppet area inside the valves. Port controls the movement of open and close of the poppet and senses the pressure from port 1. The ratio of poppet area of port 1, 2 and 3 in the valve are: port 3 : port 2 : port 1 = 180 : 80 : 100.

#### ■ PERFORMANCE

Rated Flow : 120 l/min Max. pressure : 350 bar  
 Leakage : 0.3 ml/min (5 dpm)  
 Working temperature :  
 Min. -20°C, Max. 90°C, with standard BUNAN gaskets  
 Min. -20°C, Max. 120°C, with optional VITON gaskets on request

#### ■ RECOMMENDATIONS

**Fluid:** best use mineral oil with viscosity ranging between 10 and 200 cSt  
**Filter:** 25 micron or better  
**Cavities:** see cavity data 12-03  
**Installation:** before screwing the cartridge on the valve body, ascertain to provide suitable gasket lubrication with clean oil and also be sure to screw the cartridge manually in to reach against the gaskets in the valve body.

H B HYDRAULICS CO., LTD. reserves the variations and modifications of technical features and dimensions; and also reserves the right to stop production of each and any model listed in the catalogue with no notice.