

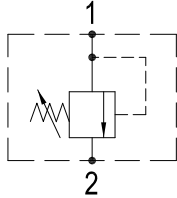


SYSTEM OF FLUID POWER

PRESSURE RELIEF VALVES

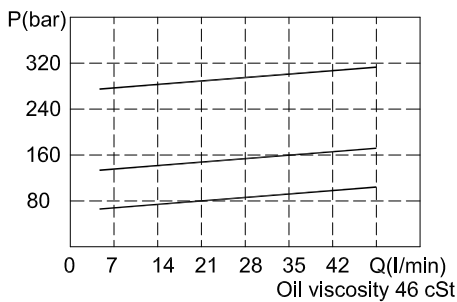
IR-10

HYDRAULIC DIAGRAM

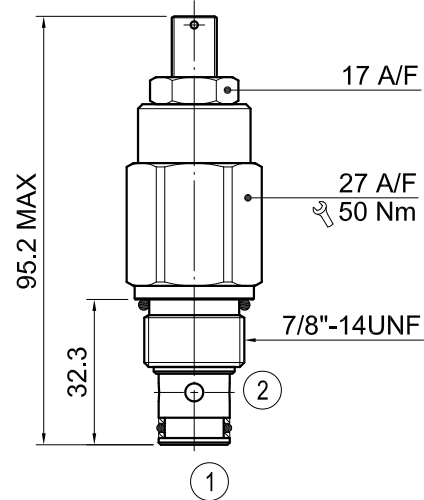


Type	Qnom (L/min)	Pmax (Bar)
IR-10	40	350

RATING DIAGRAM



DIMENSIONS (mm)



Cavities: see cavity data 10-02

CODE NUMBER

IR-10-01-L

Opening Pressure

- 1) 01 = 10-100 BAR. Std setting 50 BAR
 - 2) 02 = 35-200 BAR. Std setting 100 BAR
 - 3) 03 = 50-350 BAR. Std setting 150 BAR
- (Std setting can be customised as requested. @6.8L/min)

Manual Adjustment

(See Line Body Ordering)
Omit for standard cartridge valves

■ APPLICATION

To limit pressure in a system. Pressure acting fast, this valve is suitable for fixed flow. Good for continuous duty and accurate pressure control with constant or varying flows.

■ OPERATION

The adjustable spring-loaded cone is shifted at valve setting by pressure on port 1 allowing relief flow to port 2. Reverse flow, port 2 to port 1 is blocked. Back pressure on port 2 adds to the valve setting.

■ PERFORMANCE

Rated Flow: 40 l/min Max. Pressure: 350 bar
Working temperature:
Min. -20°C, Max. 90°C, with standard BUNAN gaskets
Min. -20°C, Max. 120°C, with optional VITON gaskets on request

■ RECOMMENDATIONS

Fluid: best use mineral oil with viscosity ranging between 10 and 200 cSt
Filter: 25 micron or better
Cavities: see cavity data 10-02
Installation: before screwing the cartridge on the valve body, ascertain to provide suitable gasket lubrication with clean oil and also be sure to screw the cartridge manually in to reach against the gaskets in the valve body.

H B HYDRAULICS CO., LTD. reserves the variations and modifications of technical features and dimensions; and also reserves the right to stop production of each and any model listed in the catalogue with no notice.