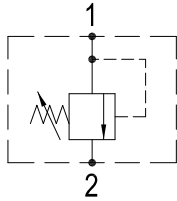


## PRESSURE RELIEF VALVES

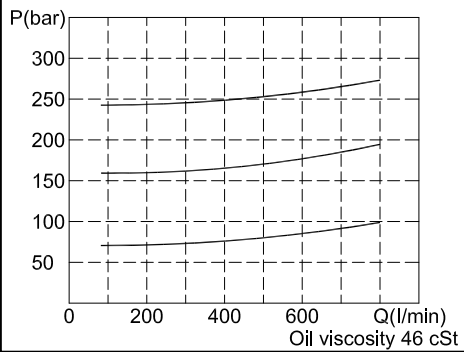
### IR-SCJJ

#### HYDRAULIC DIAGRAM

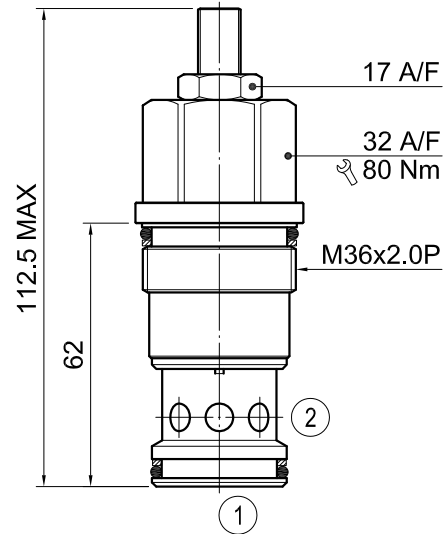


Type	Qnom (L/min)	Pmax (Bar)
IR-SCJJ	380	350

#### RATING DIAGRAM



#### DIMENSIONS (mm)



Cavities: see cavity data ST16A

#### CODE NUMBER

**IR-SCJJ-01-L**

Opening Pressure

Manual Adjustment

- 1) 01 = 10-100 BAR. Std setting 50 BAR
  - 2) 02 = 35-200 BAR. Std setting 100 BAR
  - 3) 03 = 50-350 BAR. Std setting 150 BAR
- (Std setting can be customised as requested.@6.8L/min)

(See Line Body Ordering)  
Omit for standard  
cartridge valves

#### ■ APPLICATION

To limit pressure in a system. Good for continuous duty and accurate pressure control with constant or varying flows.

#### ■ OPERATION

The adjustable spring-loaded ball in the pilot section is shifted at valve setting by pressure sensed through an orifice in the main spool from port 1. The resulting pilot flow creates a pressure drop across the spring-loaded main spool that then opens allowing relief flow to port 2. Reverse flow, port 2 to port 1, is blocked. Back pressure on port 2 adds to the valve setting.

#### ■ PERFORMANCE

Rated Flow : 380 l/min Max. pressure : 350 bar  
Working temperature :  
Min. -20°C, Max. 90°C, with standard BUNAN gaskets  
Min. -20°C, Max. 120°C, with optional VITON gaskets on request

#### ■ RECOMMENDATIONS

**Fluid:** best use mineral oil with viscosity ranging between 10 and 200 cSt  
**Filter:** 25 micron or better  
**Cavities:** see cavity data ST16A  
**Installation:** before screwing the cartridge on the valve body, ascertain to provide suitable gasket lubrication with clean oil and also be sure to screw the cartridge manually in to reach against the gaskets in the valve body.

H B HYDRAULICS CO., LTD. reserves the variations and modifications of technical features and dimensions;  
and also reserves the right to stop production of each and any model listed in the catalogue with no notice.