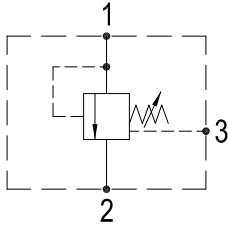


VENTABLE PRESSURE RELIEF VALVES

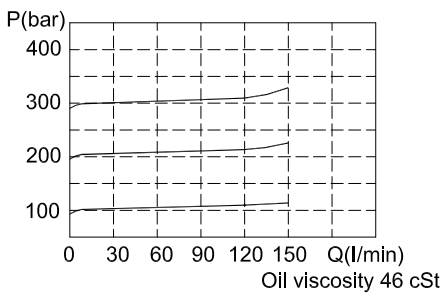
IRV-SIJ

HYDRAULIC DIAGRAM

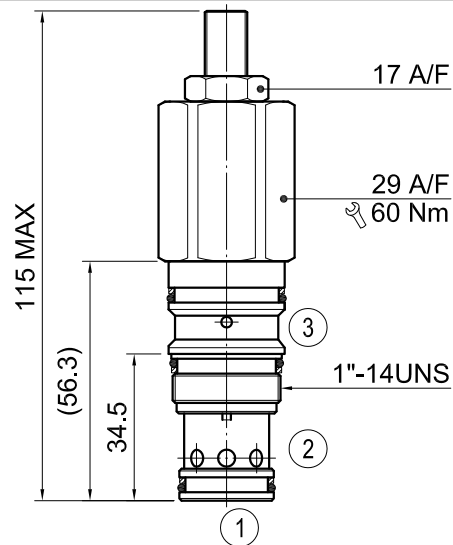


Type	Qnom (L/min)	Pmax (Bar)
IRV-SIJ	120	350

RATING DIAGRAM



DIMENSIONS (mm)



Cavities: see cavity data ST2A

CODE NUMBER

IRV-SIJ-01-L

Opening Pressure

- 1) 01 = 10-100 BAR. Std setting 50 BAR
 - 2) 02 = 35-200 BAR. Std setting 100 BAR
 - 3) 03 = 50-350 BAR. Std setting 150 BAR
- (Std setting can be customised as requested. @6.8L/min)

Manual Adjustment

(See Line Body Ordering)
Omit for standard cartridge valves

APPLICATION

These ventable pressure relief valves are good for continuous duty in the system and accurate pressure control with constant or varying flows, and also can be used on limiting pressure in a system. The vent feature can be used with remote pilot section for a two-pressure system or to allow manual or remote 'unloading' of the pump.

OPERATION

When port 1 pressure exceeds the setting of the valve, the pilot section opens, the pilot flow causes a pressure drop opens the main section spool, allowing flow to port 2. When port 3 vented, pilot flow is referenced directly to port 2, bypassing the pilot section. This flow through the vent causes a pressure imbalance, opening the main section and dumping the pump at minimum pressure drop.

PERFORMANCE

Rated Flow : 120 l/min Max. pressure : 350 bar
Leakage : 15 ml/min
Working temperature :
Min. -20°C, Max. 90°C, with standard BUNAN gaskets
Min. -20°C, Max. 120°C, with optional VITON gaskets on request

RECOMMENDATIONS

Fluid: best use mineral oil with viscosity ranging between 10 and 200 cSt
Filter: 25 micron or better
Cavities: see cavity data ST2A
Installation: before screwing the cartridge on the valve body, ascertain to provide suitable gasket lubrication with clean oil and also be sure to screw the cartridge manually in to reach against the gaskets in the valve body.

H B HYDRAULICS CO., LTD. reserves the variations and modifications of technical features and dimensions; and also reserves the right to stop production of each and any model listed in the catalogue with no notice.