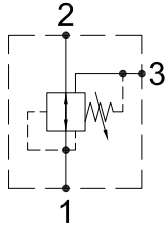


PRESSURE REDUCING VALVES WITH RELIEF

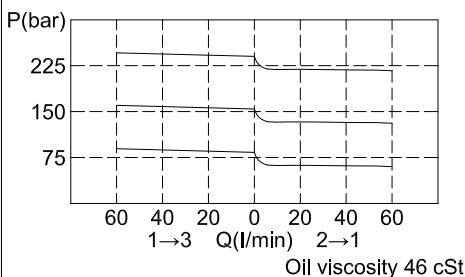
IPRR-SFJ

HYDRAULIC DIAGRAM

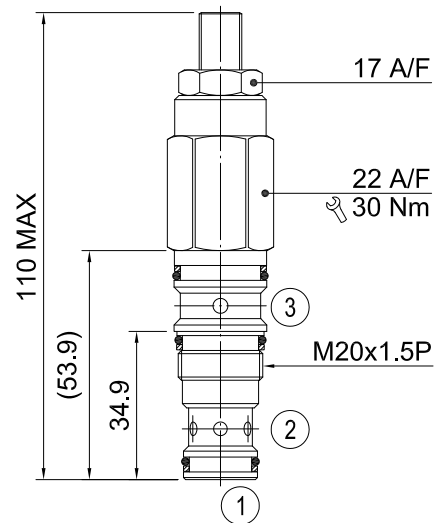


Type	Qnom (L/min)	Pmax (Bar)
IPRR-SFJ	45	350

RATING DIAGRAM



DIMENSIONS (mm)



Cavities: see cavity data ST11A

CODE NUMBER

IPRR-SFJ-01-L

Opening Pressure

Manual Adjustment

(See Line Body Ordering)
Omit for standard
cartridge valves

- 1) 01 = 10-100 BAR. Std setting 50 BAR
 - 2) 02 = 35-200 BAR. Std setting 100 BAR
 - 3) 03 = 50-350 BAR. Std setting 150 BAR
- (Std setting can be customised as requested.@6.8L/min)

■ APPLICATION

This valve is used to regulate the pressure of the pump's forked fluid line. It maintains the pressure which is persistent and lower than the fluid origin not to affect the main fluid line. There is relief valve function reverse.

■ OPERATION

This valve is a normal open type. The spool's flow regulation or close maintains the main system's pressure. The fluid floating causes the pilot pressure to generate pressure difference (port 2 to port 1) and then causes the unbalanced pressure of the two sides of the spool. The spool flow changes from big to small or closes to reduce the pressure. If the fluid on the pressure reduced side reverses (port 1 to port 2), like the cylinder is pushed back by out coming force, this valve would be like a relief valve to let the hydraulic fluid flow back to the tank and the line of the reverse flow must be drained by pilot pressure and relief pressure.

■ PERFORMANCE

Rated Flow : 45 l/min Max. pressure : 350 bar
Working temperature :
Min. -20°C, Max. 90°C, with standard BUNAN gaskets
Min. -20°C, Max. 120°C, with optional VITON gaskets on request

■ RECOMMENDATIONS

Fluid: best use mineral oil with viscosity ranging between 10 and 200 cSt
Filter: 25 micron or better
Cavities: see cavity data ST11A
Installation: before screwing the cartridge on the valve body, ascertain to provide suitable gasket lubrication with clean oil and also be sure to screw the cartridge manually in to reach against the gaskets in the valve body.

H B HYDRAULICS CO., LTD. reserves the variations and modifications of technical features and dimensions;
and also reserves the right to stop production of each and any model listed in the catalogue with no notice.