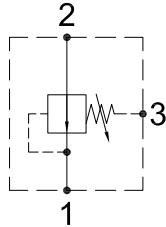


PRESSURE REDUCING VALVES

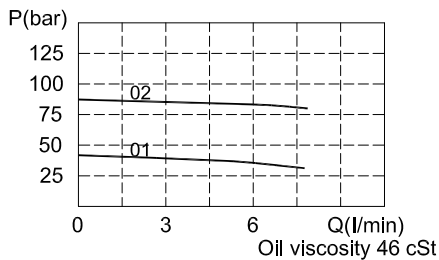
IPR-08

HYDRAULIC DIAGRAM

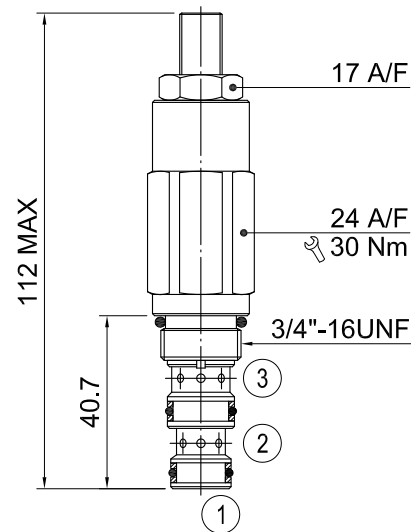


Type	Qnom (L/min)	Pmax (Bar)
IPR-08	8	350

RATING DIAGRAM



DIMENSIONS (mm)



Cavities: see cavity data 08-03

CODE NUMBER

IPR-08-01-L

Opening Pressure

Manual Adjustment

- 1) 01 = 10-60 BAR. Std setting 30 BAR
 2) 02 = 20-150 BAR. Std setting 50 BAR
 (Std setting can be customised as requested.@6.8L/min)

(See Line Body Ordering)
 Omit for standard
 cartridge valves

■ APPLICATION

This valve is used to regulate the pressure of the pump's forked fluid line. It maintains the pressure which is persistent and lower than the fluid origin not to affect the main fluid line.

■ OPERATION

Oil flow is permitted from port 2 to port 1 up to the pressure value set in port 1. When the pressure value is reached, spool throttles the passage port 2 and port 1 to keep the pressure in port 1 constant. The passage in port 3 is used as a drain with steady connection to the discharge. There is no pressure relief from port 1 to port 3, when pressure in the line port 1 exceeds the set value.

■ PERFORMANCE

Rated Flow: 8 l/min Max. Pressure: 350 bar
 Working temperature:
 Min. -20°C, Max. 90°C, with standard BUNAN gaskets
 Min. -20°C, Max. 120°C, with optional VITON gaskets on request

■ RECOMMENDATIONS

Fluid: best use mineral oil with viscosity ranging between 10 and 200 cSt
Filter: 25 micron or better
Cavities: see cavity data 08-03
Installation: before screwing the cartridge on the valve body, ascertain to provide suitable gasket lubrication with clean oil and also be sure to screw the cartridge manually in to reach against the gaskets in the valve body.

H B HYDRAULICS CO., LTD. reserves the variations and modifications of technical features and dimensions;
 and also reserves the right to stop production of each and any model listed in the catalogue with no notice.