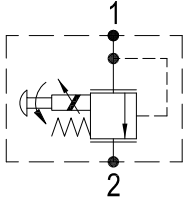


PROPORTIONAL RELIEF VALVES

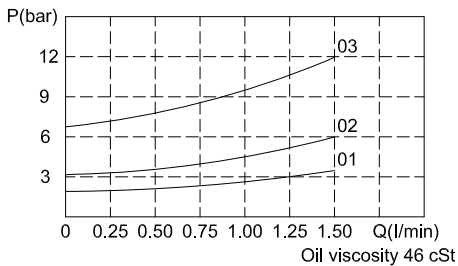
IRP-08

HYDRAULIC DIAGRAM

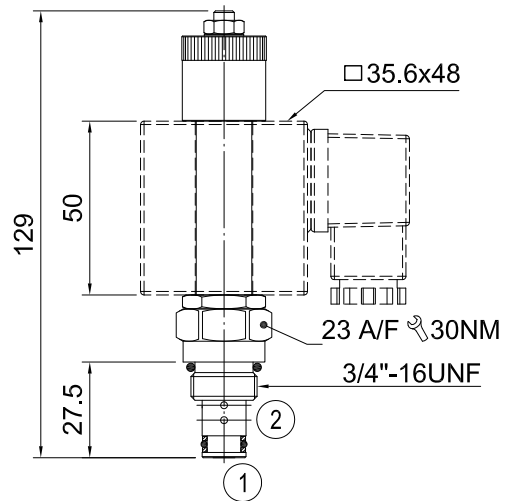


Type	Qnom (L/min)	Pmax (Bar)
IRP-08	1.5	350

RATING DIAGRAM



DIMENSIONS (mm)



Cavities: see cavity data 08-02

CODE NUMBER

IRP-08-01

Opening Pressure

- 1) 01 = 10-100 BAR. Std setting 50 BAR
 - 2) 02 = 35-200 BAR. Std setting 100 BAR
 - 3) 03 = 50-350 BAR. Std setting 150 BAR
- (Std setting can be customised as requested. @6.8L/min)

■ APPLICATION

Our proportional relief valves are poppet design for direct acting. The coils have minimal amperage draw and are waterproof by sealing with O-rings to prevent from corrosion. This valve can be used for flow of 1.5 l/min or the pilot control of ventable pressure relief valve. It allows the use of manual or remote control of the relief valve of the pump.

■ OPERATION

The valves proportionally regulate pressure to the solenoid current. The solenoid is oil immersed armature and the pressure can be adjusted with the manual override.

■ PERFORMANCE

Rated Flow : 1.5 l/min Max. pressure : 350 bar (when pressure ranges up to 75% of max current)
 Working temperature :
 Min. -20°C, Max. 90°C, with standard BUNAN gaskets
 Min. -20°C, Max. 120°C, with optional VITON gaskets on request

■ RECOMMENDATIONS

Fluid: best use mineral oil with viscosity ranging between 10 and 200 cSt
Filter: 25 micron or better
Cavities: see cavity data 08-02
Installation: before screwing the cartridge on the valve body, ascertain to provide suitable gasket lubrication with clean oil and also be sure to screw the cartridge manually in to reach against the gaskets in the valve body.

H B HYDRAULICS CO., LTD. reserves the variations and modifications of technical features and dimensions; and also reserves the right to stop production of each and any model listed in the catalogue with no notice.