

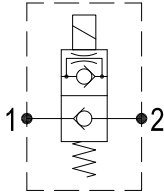


SYSTEM OF FLUID POWER

SOLENOID VALVES

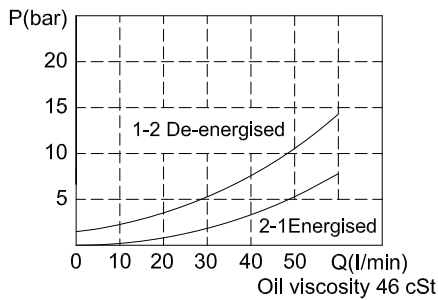
ISC-10-NC

HYDRAULIC DIAGRAM

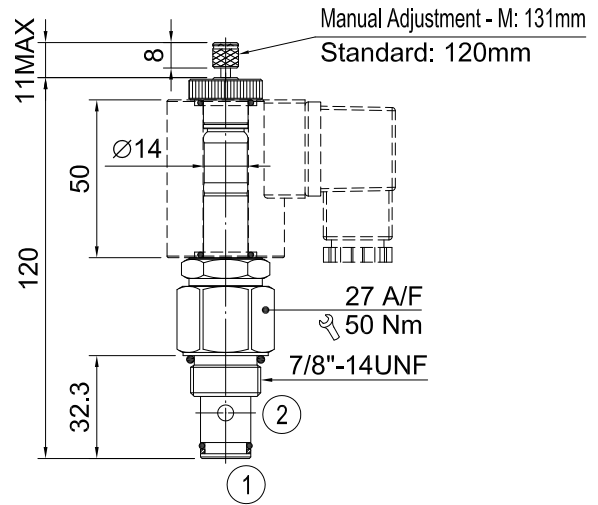


Type	Qnom (L/min)	Pmax (Bar)
ISC-10-NC	40	350

RATING DIAGRAM



DIMENSIONS (mm)



Cavities: see cavity data 10-02

CODE NUMBER

ISC-10-NC-A1-M

Type of Spool	Voltage Available	Manual Adjustment
Normally Closed		Omit for standard cartridge valves
	1) A1 = 110 VAC	
	2) A2 = 220 VAC	
	3) D1 = 12 VDC	
	4) D2 = 24 VDC	

APPLICATION

To give on-off control of flows of 40 litres/min (10.5 US GPM) and pressure up to 350 bar (5000 psi). Typical usage includes the control of actuators in a hydraulic system.

OPERATION

With the valve version and de-energised solenoid, the oil flow is stopped from port 2 to port 1 and is free from port 1 to port 2. When the solenoid is energised, the flow is free from port 2 to port 1 but port 1 to port 2 restricted.

PERFORMANCE

Rated Flow : 40 l/min Max. pressure : 350 bar
 Oil leaks from port 2 to port 1: 0.30 ml/min (5 dpm) at 210 bar and oil viscosity of 46 cSt
 Working temperature :
 Min. -20°C, Max. 90°C, with standard BUNAN gaskets
 Min. -20°C, Max. 120°C, with optional VITON gaskets on request

RECOMMENDATIONS

Fluid: best use mineral oil with viscosity ranging between 10 and 200 cSt
Filter: 25 micron or better
Cavities: see cavity data 10-02
Installation: before screwing the cartridge on the valve body, ascertain to provide suitable gasket lubrication with clean oil and also be sure to screw the cartridge manually in to reach against the gaskets in the valve body.

H B HYDRAULICS CO., LTD. reserves the variations and modifications of technical features and dimensions; and also reserves the right to stop production of each and any model listed in the catalogue with no notice.