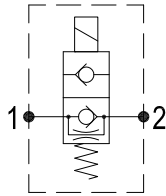


SOLENOID VALVES

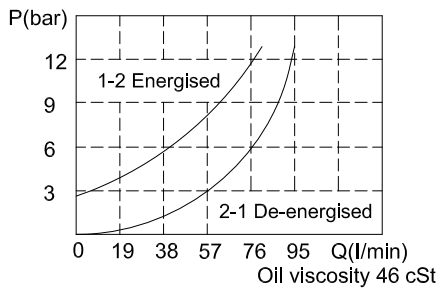
ISC-12-N0

HYDRAULIC DIAGRAM

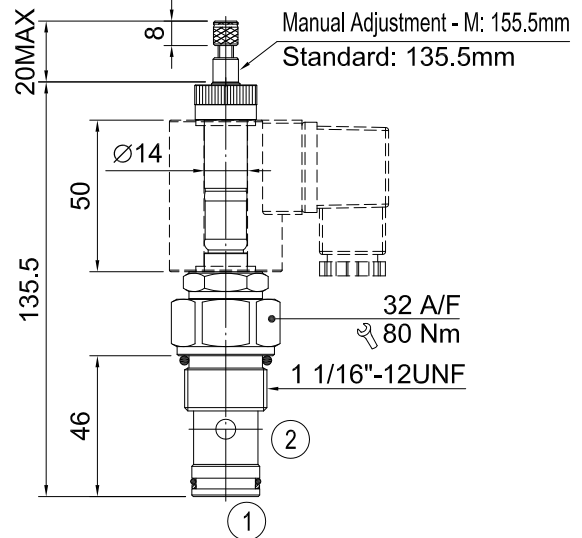


Type	Qnom (L/min)	Pmax (Bar)
ISC-12-N0	70	280

RATING DIAGRAM



DIMENSIONS (mm)



Cavities: see cavity data 12-02

CODE NUMBER

ISC-12-N0-RA1-M

Type of Spool
Normally Open

Voltage Available

Manual Adjustment
Omit for standard cartridge valves

- 1) RA1 = 110 VRAC
- 2) RA2 = 220 VRAC
- 3) D1 = 12 VDC
- 4) D2 = 24 VDC

*All AC coils must be used with a rectifying connector.

APPLICATION

To give on-off control of flows of 70 l/min (18.5 US GPM) and pressure up to 280 bar (4000 psi). Typical usage includes the control of actuators in a hydraulic system.

OPERATION

With the valve version and de-energised solenoid, the oil flow is free from port 2 to port 1 but port 1 to port 2 restricted. When the solenoid is energised, the flow can be from port 1 to port 2, but stopped from port 2 to port 1.

PERFORMANCE

Rated Flow : 70 l/min Max. pressure : 280 bar
 Oil leaks from port 2 to port 1: 0.30 ml/min (5 dpm) at 210 bar and oil viscosity of 46 cSt when the solenoid is energised
 Working temperature :
 Min. -20°C, Max. 90°C, with standard BUNAN gaskets
 Min. -20°C, Max. 120°C, with optional VITON gaskets on request

RECOMMENDATIONS

Fluid: best use mineral oil with viscosity ranging between 10 and 200 cSt
Filter: 25 micron or better
Cavities: see cavity data 12-02
Installation: before screwing the cartridge on the valve body, ascertain to provide suitable gasket lubrication with clean oil and also be sure to screw the cartridge manually in to reach against the gaskets in the valve body.

H B HYDRAULICS CO., LTD. reserves the variations and modifications of technical features and dimensions; and also reserves the right to stop production of each and any model listed in the catalogue with no notice.