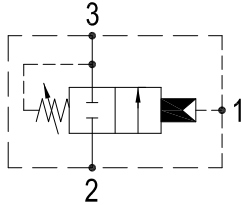


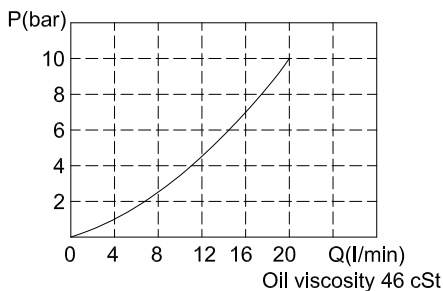
ISQV-SBJ-NC

HYDRAULIC DIAGRAM

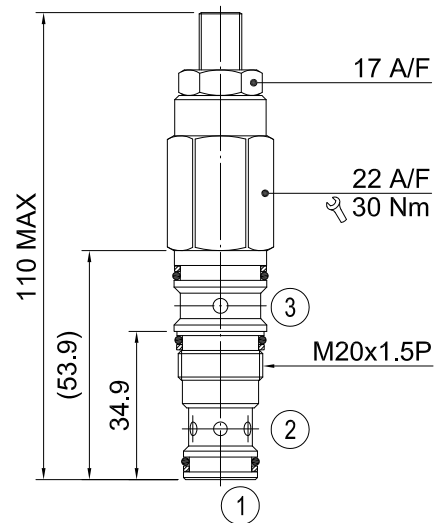


Type	Qnom (L/min)	Pmax (Bar)
ISQV-SBJ-NC	20	350

RATING DIAGRAM



DIMENSIONS (mm)



Cavities: see cavity data ST11A

CODE NUMBER

ISQV-SBJ-NC-01-L

Opening Pressure

Manual Adjustment

- 01 = 10-50 BAR. Std setting 30 BAR
 - 02 = 35-120 BAR. Std setting 50 BAR
- (Std setting can be customised as requested.@6.8L/min)

(See Line Body Ordering)
Omit for standard
cartridge valves

■ APPLICATION

This series is a normal closed type. It's usually used to block the fluid line or guide the relief valve.

■ OPERATION

When the pilot pressure (port 1) arises to the setting pressure, the fluid flows from inlet port (port 2) to the tank (port 3). When the pressure drops (port 1), the spool returns.

■ PERFORMANCE

Rated Flow : 20 l/min Max. pressure : 350 bar
Working temperature :
Min. -20°C, Max. 90°C, with standard BUNAN gaskets
Min. -20°C, Max. 120°C, with optional VITON gaskets on request

■ RECOMMENDATIONS

Fluid: best use mineral oil with viscosity ranging between 10 and 200 cSt
Filter: 25 micron or better
Cavities: see cavity data ST11A
Installation: before screwing the cartridge on the valve body, ascertain to provide suitable gasket lubrication with clean oil and also be sure to screw the cartridge manually in to reach against the gaskets in the valve body.

H B HYDRAULICS CO., LTD. reserves the variations and modifications of technical features and dimensions;
and also reserves the right to stop production of each and any model listed in the catalogue with no notice.