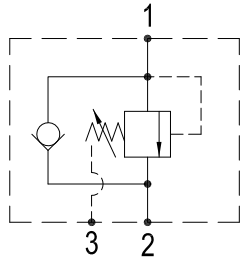


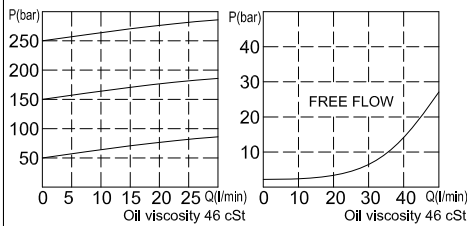
## ISQC-SCJ

### HYDRAULIC DIAGRAM

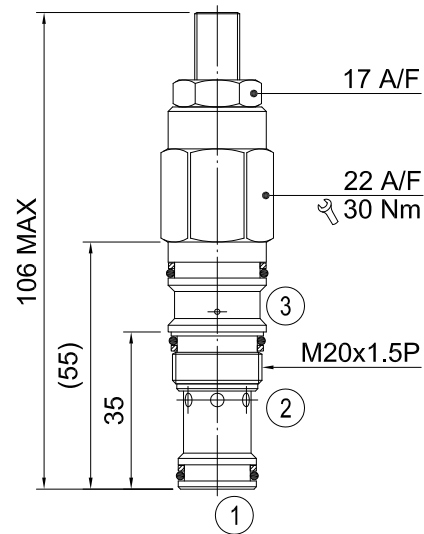


Type	Qnom (L/min)	Pmax (Bar)
ISQC-SCJ	30	350

### RATING DIAGRAM



### DIMENSIONS (mm)



Cavities: see cavity data ST11A

### CODE NUMBER

**ISQC-SCJ-01-L**

Opening Pressure

Manual Adjustment

- 1) 01 = 10-100 BAR. Std setting 50 BAR
  - 2) 02 = 35-200 BAR. Std setting 100 BAR
  - 3) 03 = 50-350 BAR. Std setting 150 BAR
- ( Std setting can be customised as requested. @6.8L/min)

(See Line Body Ordering)  
Omit for standard  
cartridge valves

### ■ APPLICATION

For use on clamp and drill circuits where pressure is to be maintained regardless of back pressure drop in the system.

### ■ OPERATION

The valve adjustable spring-loaded as direct-acting relief valve at valve setting by pressure on port 1 allowing relief flow to port 2. When oil flows from port 2 to port 1, the release pressure is low. When port 3 directly flows to tank. Back pressure on port 2 without adds to the valve setting.

### ■ PERFORMANCE

Rated Flow : 30 l/min Max. pressure : 350 bar  
Leakage : 0.3 ml/min  
Working temperature :  
Min. -20°C, Max. 90°C, with standard BUNAN gaskets  
Min. -20°C, Max. 120°C, with optional VITON gaskets on request

### ■ RECOMMENDATIONS

**Fluid:** best use mineral oil with viscosity ranging between 10 and 200 cSt  
**Filter:** 25 micron or better  
**Cavities:** see cavity data ST11A  
**Installation:** before screwing the cartridge on the valve body, ascertain to provide suitable gasket lubrication with clean oil and also be sure to screw the cartridge manually in to reach against the gaskets in the valve body.

H B HYDRAULICS CO., LTD. reserves the variations and modifications of technical features and dimensions;  
and also reserves the right to stop production of each and any model listed in the catalogue with no notice.