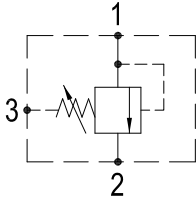


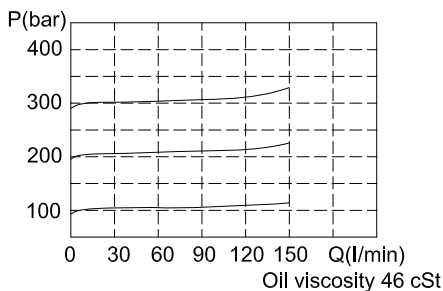
ISQ-SIJ

HYDRAULIC DIAGRAM

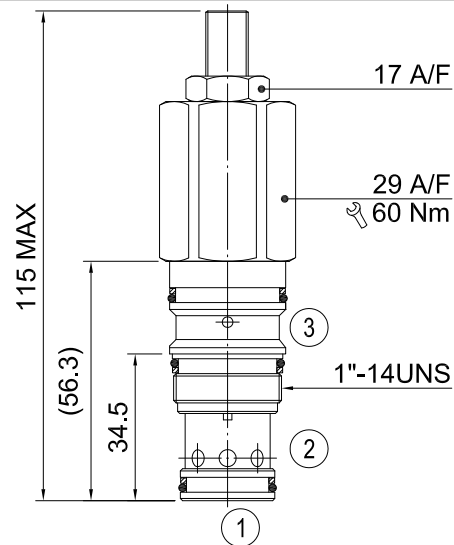


Type	Qnom (L/min)	Pmax (Bar)
ISQ-SIJ	120	350

RATING DIAGRAM



DIMENSIONS (mm)



Cavities: see cavity data ST2A

CODE NUMBER

ISQ-SIJ-01-L

Opening Pressure

Manual Adjustment

- 1) 01 = 10-100 BAR. Std setting 50 BAR
 - 2) 02 = 35-200 BAR. Std setting 100 BAR
 - 3) 03 = 50-350 BAR. Std setting 150 BAR
- (Std setting can be customised as requested.@6.8L/min)

(See Line Body Ordering)
Omit for standard
cartridge valves

■ APPLICATION

For use on clamp and drill circuits where pressure is to be maintained regardless of back pressure drop in the system.

■ OPERATION

The adjustable spring-loaded poppet is shift at valve setting by pressure on port 1 allowing relief flow to port 2. When port 3 directly flows to tank, back pressure on port 2 without adds to the valve setting.

■ PERFORMANCE

Rated Flow : 120 l/min Max. pressure : 350 bar
Leakage : 35 ml/min
Working temperature :
Min. -20°C, Max. 90°C, with standard BUNAN gaskets
Min. -20°C, Max. 120°C, with optional VITON gaskets on request

■ RECOMMENDATIONS

Fluid: best use mineral oil with viscosity ranging between 10 and 200 cSt
Filter: 25 micron or better
Cavities: see cavity data ST2A
Installation: before screwing the cartridge on the valve body, ascertain to provide suitable gasket lubrication with clean oil and also be sure to screw the cartridge manually in to reach against the gaskets in the valve body.

H B HYDRAULICS CO., LTD. reserves the variations and modifications of technical features and dimensions;
and also reserves the right to stop production of each and any model listed in the catalogue with no notice.