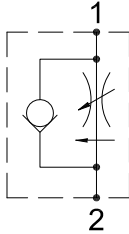


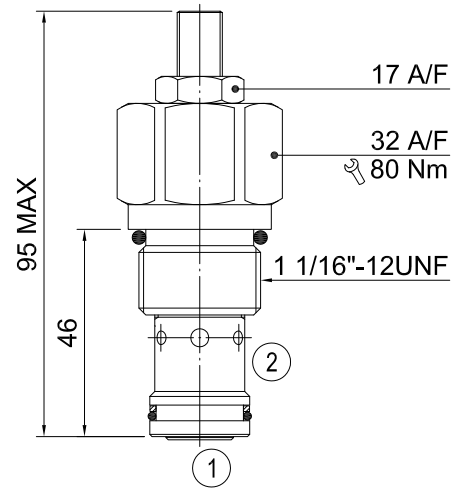
## IFC-12

### HYDRAULIC DIAGRAM



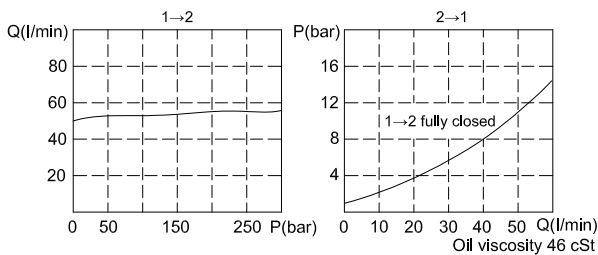
Type	Qnom (L/min)	Pmax (Bar)
IFC-12	50	350

### DIMENSIONS (mm)



Cavities: see cavity data 12-02

### RATING DIAGRAM



### CODE NUMBER

**IFC-12-L**

**Manual Adjustment**

(See Line Body Ordering)  
Omit for standard cartridge valves

### ■ APPLICATION

IFC series are the flow regulators for controlling the flow in one direction with pressure compensation. These flow valves offer the stable adjusting flow despite of the loading variation in the cylinder.

### ■ OPERATION

This valve can adjust the flow volume from port 1 to port 2. With fixed flow, the pressure drop of damping is generated. The spring is moved by the force of the pressure which is generated by the pressure difference at the two sides of the spool. But it would be a free-flowing in the reverse port 2 to port 1.

### ■ PERFORMANCE

Rated Flow : 50 l/min Max. pressure : 350 bar  
Working temperature :  
Min. -20°C, Max. 90°C, with standard BUNAN gaskets  
Min. -20°C, Max. 120°C, with optional VITON gaskets on request

### ■ RECOMMENDATIONS

**Fluid:** best use mineral oil with viscosity ranging between 10 and 200 cSt  
**Filter:** 25 micron or better  
**Cavities:** see cavity data 12-02  
**Installation:** before screwing the cartridge on the valve body, ascertain to provide suitable gasket lubrication with clean oil and also be sure to screw the cartridge manually in to reach against the gaskets in the valve body.