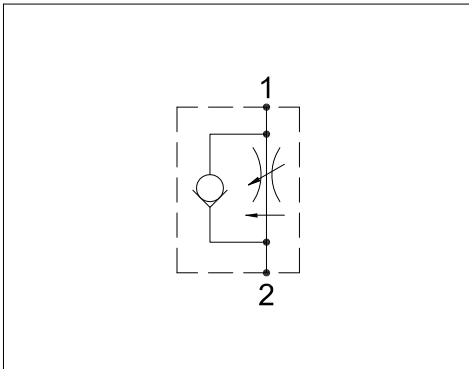




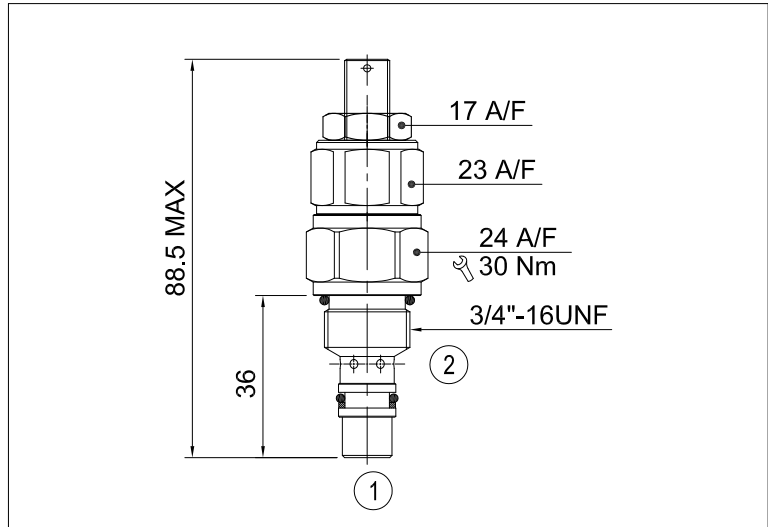
IFC-08

HYDRAULIC DIAGRAM



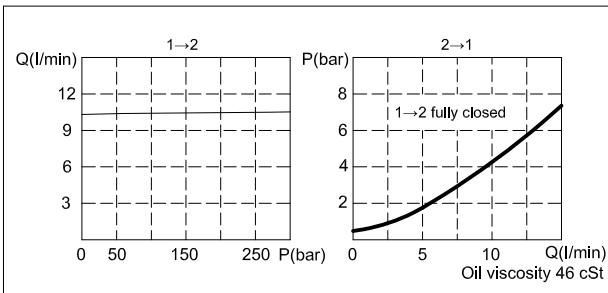
Type	Qnom (L/min)	Pmax (Bar)
IFC-08	10	350

DIMENSIONS (mm)



Cavities: see cavity data 08-02

RATING DIAGRAM



CODE NUMBER

IFC-08-L

Manual Adjustment

(See Line Body Ordering)
Omit for standard cartridge valves

APPLICATION

IFC series are the flow regulators for controlling the flow in one direction with pressure compensation. These flow valves offer the stable adjusting flow despite of the loading variation in the cylinder.

OPERATION

This valve can adjust the flow volume from port 1 to port 2. With fixed flow, the pressure drop of damping is generated. The spring is moved by the force of the pressure which is generated by the pressure difference at the two sides of the spool. But it would be a free-flowing in the reverse port 2 to port 1.

PERFORMANCE

Rated Flow: 10 l/min Max. pressure: 350 bar
Working temperature:
Min. -20°C, Max. 90°C, with standard BUNAN gaskets
Min. -20°C, Max. 120°C, with optional VITON gaskets on request

RECOMMENDATIONS

Fluid: best use mineral oil with viscosity ranging between 10 and 200 cSt
Filter: 25 micron or better
Cavities: see cavity data 08-02
Installation: before screwing the cartridge on the valve body, ascertain to provide suitable gasket lubrication with clean oil and also be sure to screw the cartridge manually in to reach against the gaskets in the valve body.

H B HYDRAULICS CO., LTD. reserves the variations and modifications of technical features and dimensions; and also reserves the right to stop production of each and any model listed in the catalogue with no notice.