

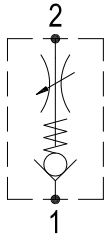


SYSTEM OF FLUID POWER

CHECK VALVES

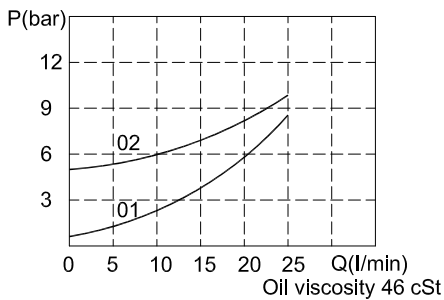
ICN-08

HYDRAULIC DIAGRAM

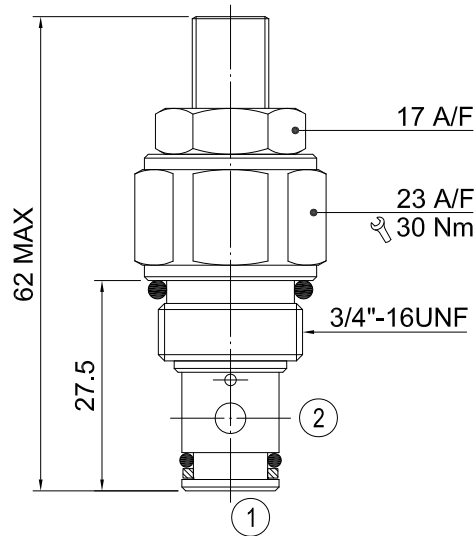


Type	Qnom (L/min)	Pmax (Bar)
ICN-08	20	350

RATING DIAGRAM



DIMENSIONS (mm)



Cavities: see cavity data 08-02

CODE NUMBER

ICN-08-01-L

Opening Pressure

1) 01 = 0.5 BAR

2) 02 = 5 BAR

Manual Adjustment

(See Line Body Ordering)

Omit for standard cartridge valves

■ APPLICATION

This series enables low pressure drop of flow and can be adjusted precisely to be closed completely in free flow. There's no reverse flow.

■ OPERATION

The flow from port 1 to port 2 can be adjusted and closed in reverse flow.

■ PERFORMANCE

Rated Flow : 20 l/min Max. pressure : 350 bar
 Opening pressure from port 1 to port 2: (1) 0.5 bar (2) 5 bar
 Leakage : 0.3 ml/min (5 dpm)
 Working temperature :
 Min. -20°C, Max. 90°C, with standard BUNAN gaskets
 Min. -20°C, Max. 120°C, with optional VITON gaskets on request

■ RECOMMENDATIONS

Fluid: best use mineral oil with viscosity ranging between 10 and 200 cSt
Filter: 25 micron or better
Cavities: see cavity data 08-02
Installation: before screwing the cartridge on the valve body, ascertain to provide suitable gasket lubrication with clean oil and also be sure to screw the cartridge manually in to reach against the gaskets in the valve body.

H B HYDRAULICS CO., LTD. reserves the variations and modifications of technical features and dimensions; and also reserves the right to stop production of each and any model listed in the catalogue with no notice.