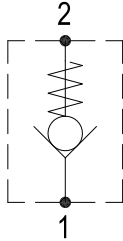


CHECK VALVES

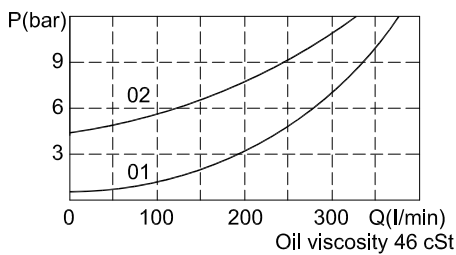
## IC-SCJJ

### HYDRAULIC DIAGRAM

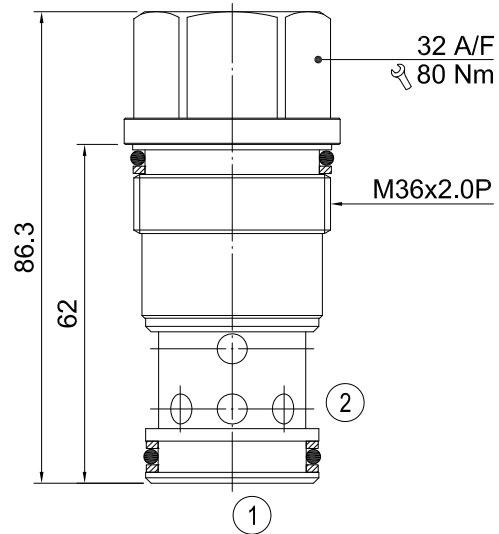


Type	Qnom (L/min)	Pmax (Bar)
IC-SCJJ	320	350

### RATING DIAGRAM



### DIMENSIONS (mm)



Cavities: see cavity data ST16A

### CODE NUMBER

#### IC-SCJJ-01

Opening Pressure

- 1) 01 = 0.5 BAR
- 2) 02 = 5 BAR

### APPLICATION

These cartridge check valves allow flow at a low pressure drop, with cracking pressure from 0.5 to 5 bar in the free flow direction and close to prevent flow in the reverse direction.

### OPERATION

Oil flow is permitted from port 1 to port 2 and close to prevent flow in the reverse direction.

### PERFORMANCE

Rated Flow : 320 l/min Max. pressure : 350 bar  
 Opening pressure from port 1 to port 2: (1) 0.5 bar (2) 5 bar  
 Leakage : 0.3 ml/min (5 dpm)  
 Working temperature :  
 Min. -20°C, Max. 90°C, with standard BUNAN gaskets  
 Min. -20°C, Max. 120°C, with optional VITON gaskets on request

### RECOMMENDATIONS

**Fluid:** best use mineral oil with viscosity ranging between 10 and 200 cSt  
**Filter:** 25 micron or better  
**Cavities:** see cavity data ST16A  
**Installation:** before screwing the cartridge on the valve body, ascertain to provide suitable gasket lubrication with clean oil and also be sure to screw the cartridge manually in to reach against the gaskets in the valve body.