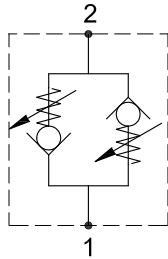


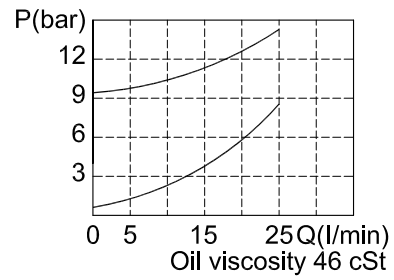
CHECK VALVES 雙向單向閥

CCD-12

HYDRAULIC DIAGRAM 油路符號

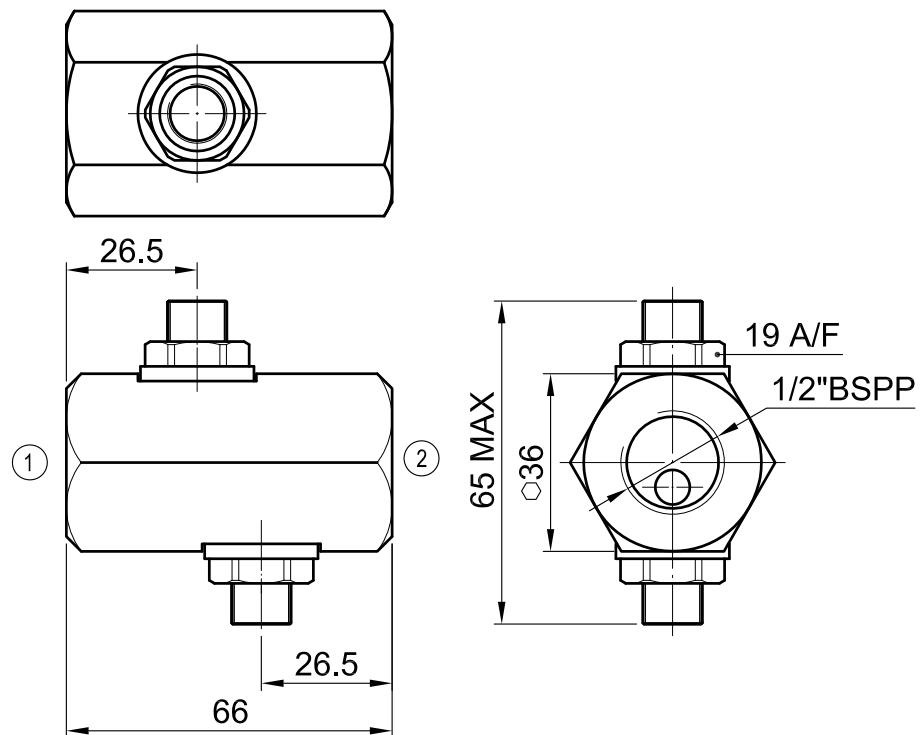


RATING DIAGRAM 流速表



Qnom (L/min)	Pmax (Bar)	Pilot ratio
20	350	--

DIMENSIONS (mm) 尺寸



CCD-12-02

Opening Pressure

開啟壓力

- 1) 01 = 1-20 BAR
- 2) 02 = 10-60 BAR