



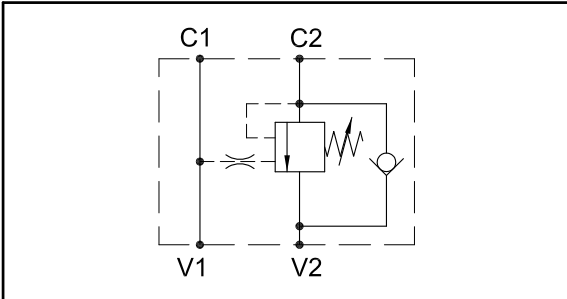
SYSTEM OF FLUID POWER

H B HYDRAULICS CO., LTD.

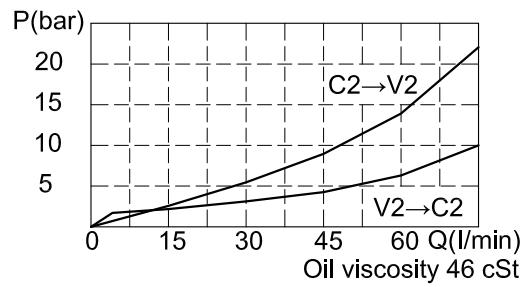
OVERCENTRE VALVES 抗衡閥

C0CS-I J-34-02-B-P4

HYDRAULIC DIAGRAM 油路符號

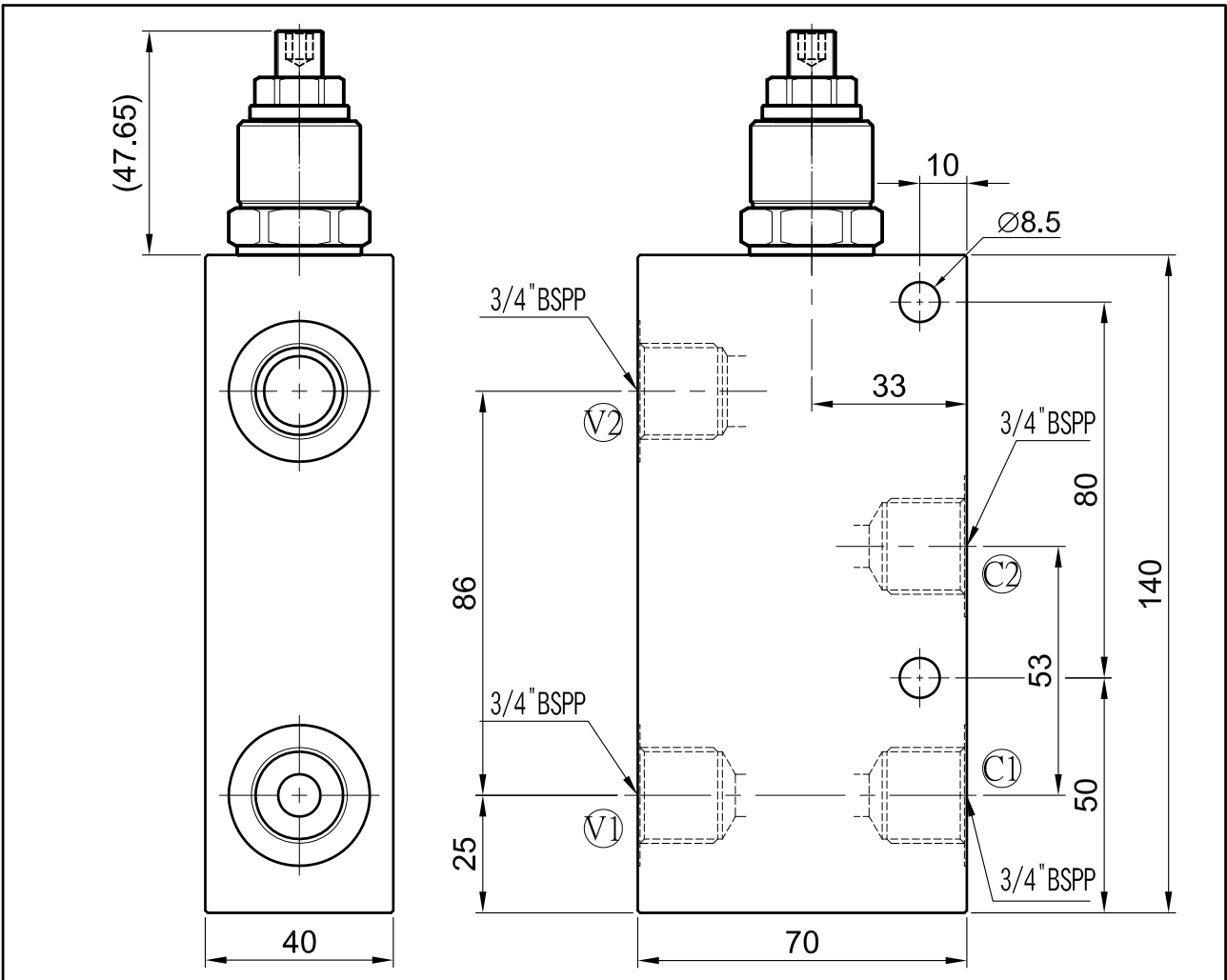


RATING DIAGRAM 流速表



Qnom (L/min)	Pmax (Bar)	Pilot ratio
90	350	4:1

DIMENSIONS (mm) 尺寸



C0CS-I J-34-02-B-P4

Pilot Ratio 4:1

導壓比 4:1

Port Size

油孔尺寸
34=3/4" BSPP

Opening Pressure

02=10-350BAR