



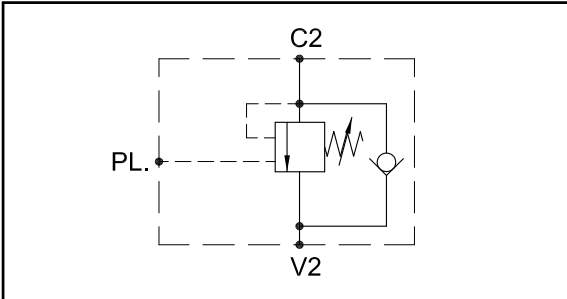
SYSTEM OF FLUID POWER

H B HYDRAULICS CO., LTD.

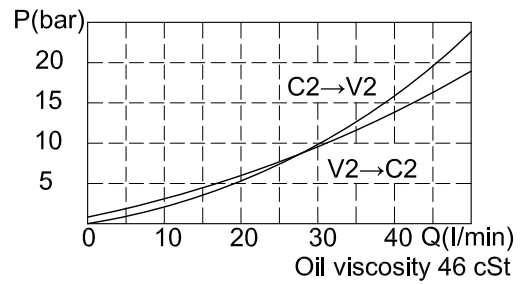
OVERCENTRE VALVES 抗衡閥

COCS-EJ-38-02-A-P4

HYDRAULIC DIAGRAM 油路符號

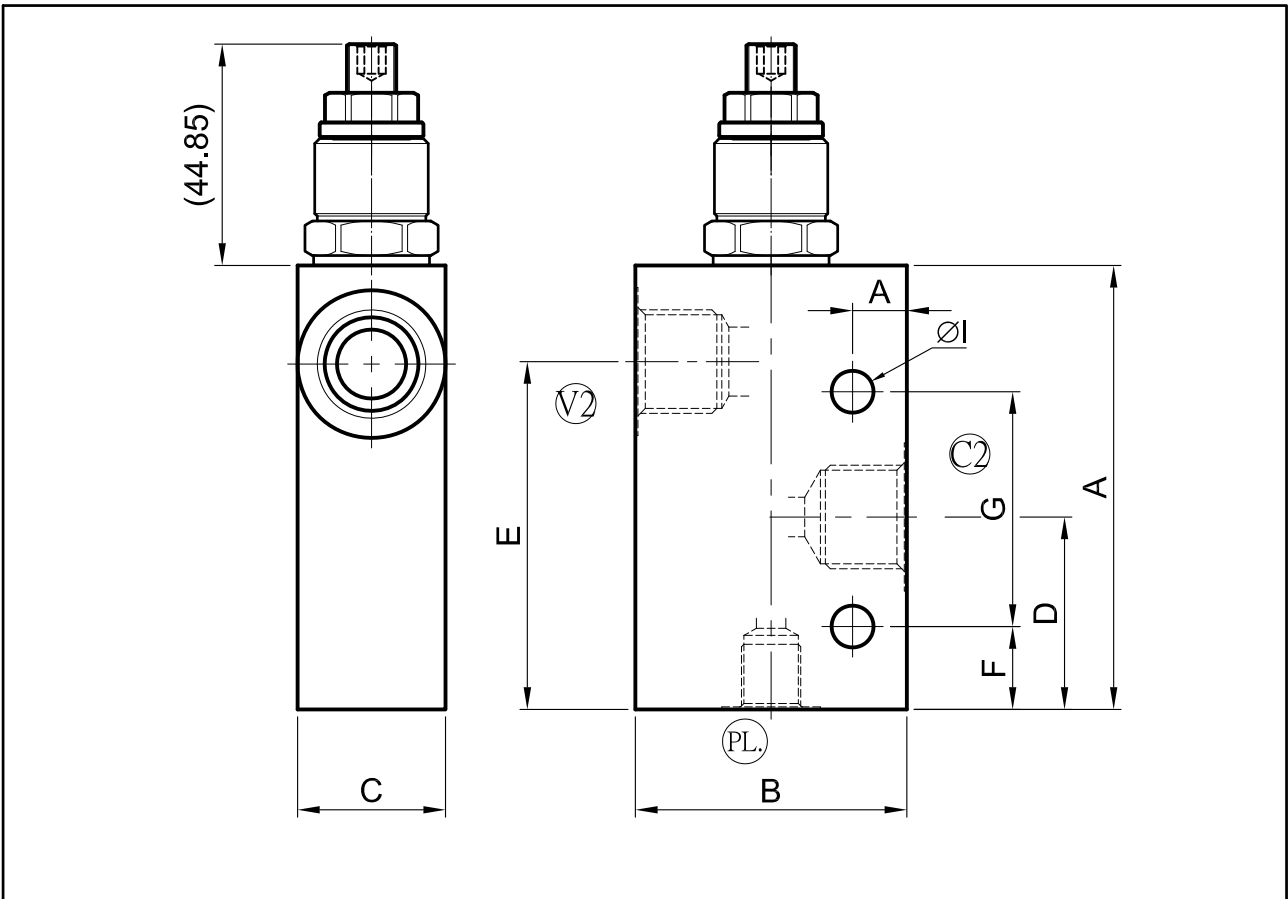


RATING DIAGRAM 流速表



Qnom (L/min)	Pmax (Bar)	Pilot ratio
50	350	4:1

DIMENSIONS ( mm ) 尺寸



Type	A	B	C	D	E	F	G	H	I	C2,V2	PL.
COCS-EJ-38-02-A-P4	90	55	30	39	70.5	16.8	47.6	11	8.5	3/8" BSPP	1/4" BSPP
COCS-EJ-12-02-A-P4	90	65	35	39	70.5	16.8	47.6	11	8.5	1/2" BSPP	1/4" BSPP

COCS-EJ-38-02-A-P4

Pilot Ratio 4:1

導壓比 4:1

Port Size

油孔尺寸  
38=3/8" BSPP  
12=1/2" BSPP

Opening Pressure

02=10-350BAR