



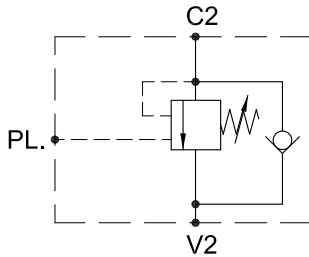
SYSTEM OF FLUID POWER

H B HYDRAULICS CO., LTD.

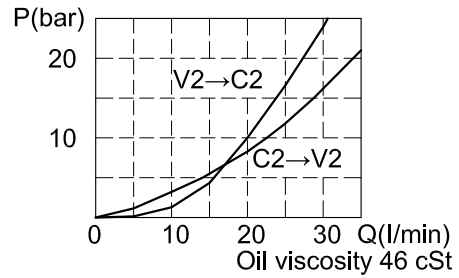
OVERCENTRE VALVES 抗衡閥

C0CS-CE-14-02-A-P4

HYDRAULIC DIAGRAM 油路符號

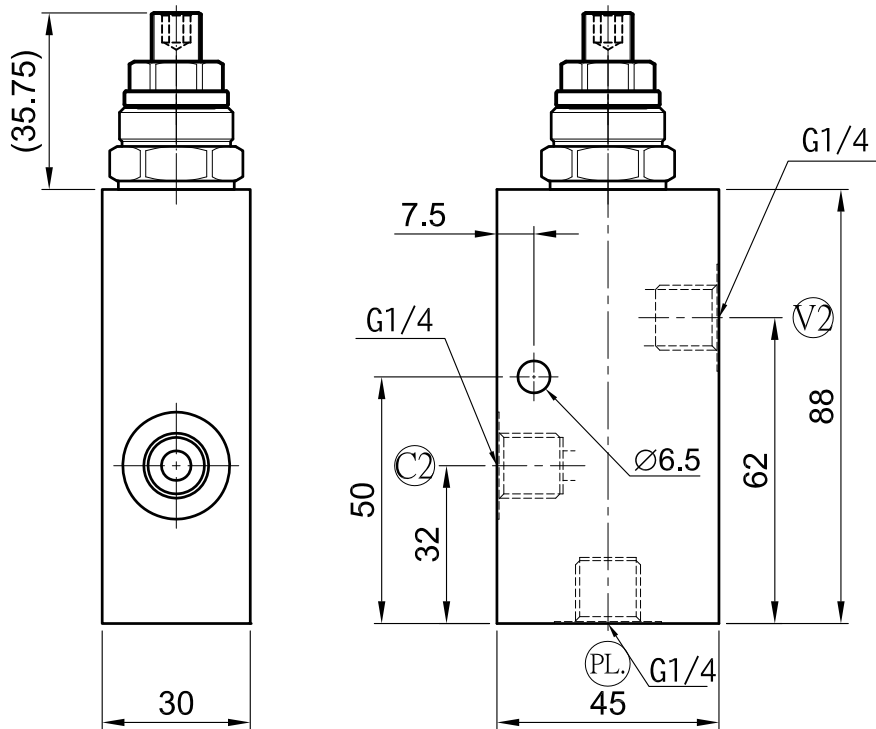


RATING DIAGRAM 流速表



Qnom (L/min)	Pmax (Bar)	Pilot ratio
35	350	4:1

DIMENSIONS (mm) 尺寸



C0CS-CE-14-02-A-P4

Port Size
油孔尺寸
14=G1/4

Pilot Ratio 4:1
導壓比 4:1
Opening Pressure
02=10-350BAR