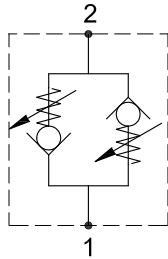


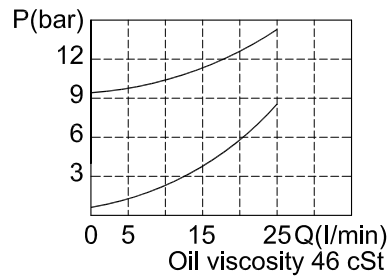
CHECK VALVES 双向单向阀

CCD-12

HYDRAULIC DIAGRAM 油路符号

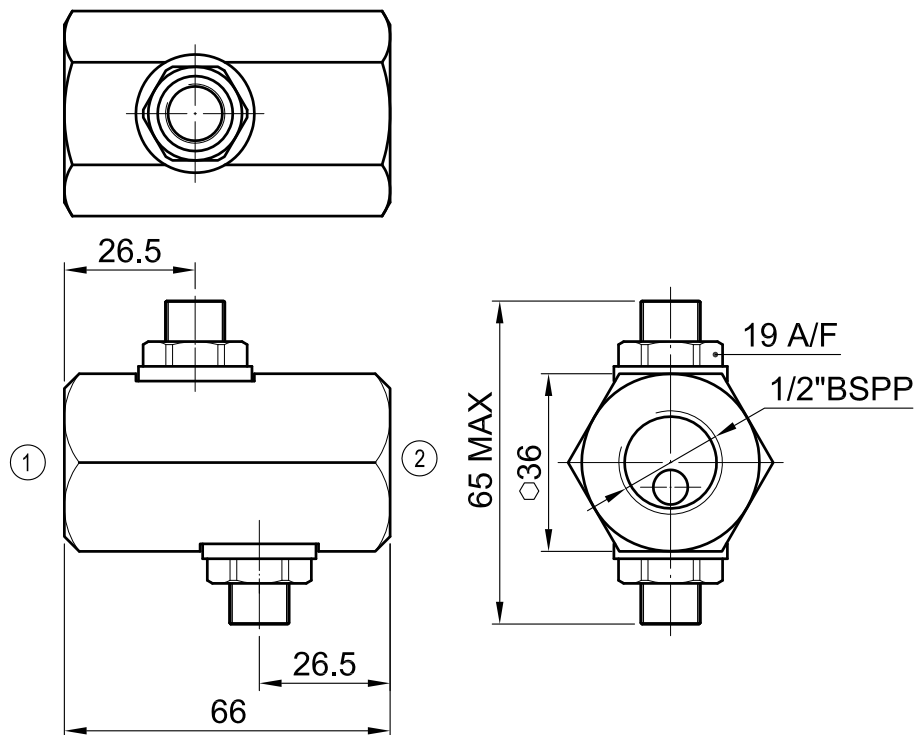


RATING DIAGRAM 流速表



| Qnom (L/min) | Pmax (Bar) | Pilot ratio |
|--------------|------------|-------------|
| 20 | 350 | -- |

DIMENSIONS (mm) 尺寸



CCD-12-02

Opening Pressure

开启压力

- 1) 01 = 1-20 BAR
- 2) 02 = 10-60 BAR