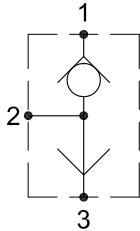


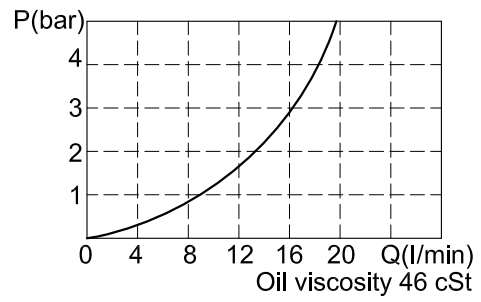
CHECK SHUTTLE VALVES 梭动阀

CSTF-02

HYDRAULIC DIAGRAM 油路符号

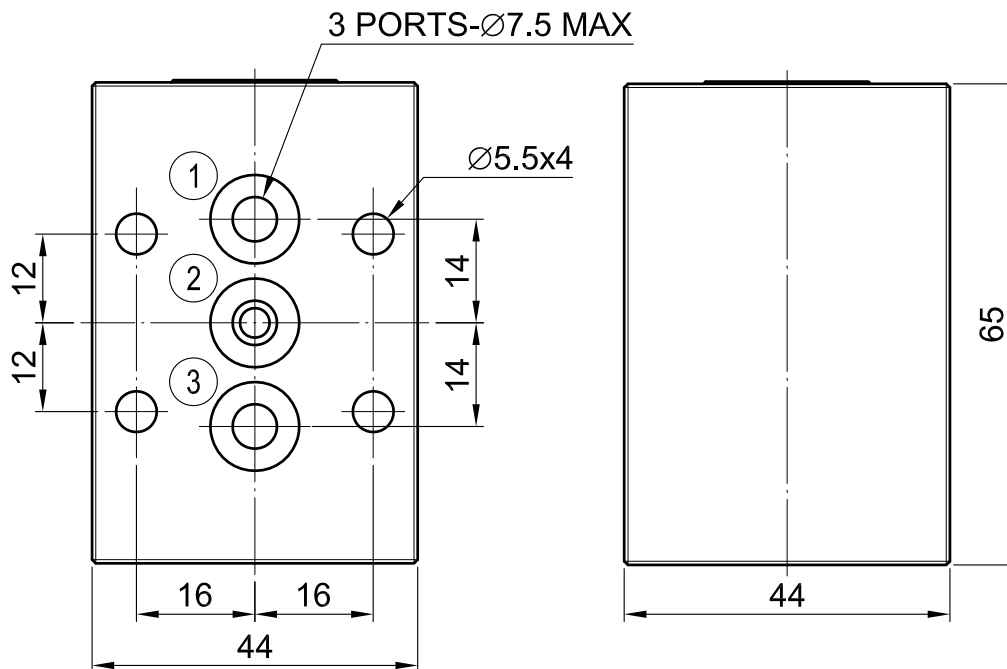


RATING DIAGRAM 流速表



Qnom (L/min)	Pmax (Bar)	Pilot ratio
20	400	--

DIMENSIONS (mm) 尺寸



CSTF-02