



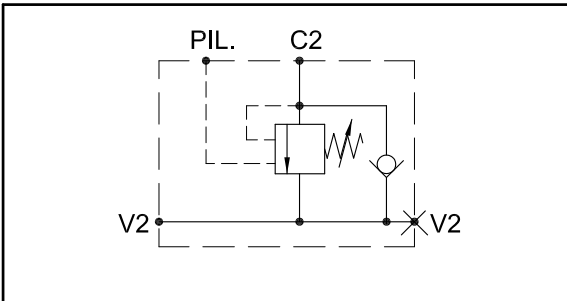
SYSTEM OF FLUID POWER

H B HYDRAULICS CO., LTD.

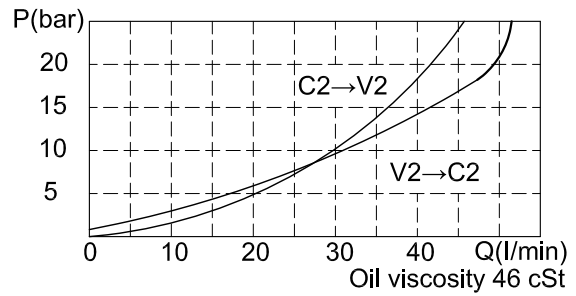
OVERCENTRE VALVES 抗衡阀

COCS-EJ-38-02-FA-P4

HYDRAULIC DIAGRAM 油路符号

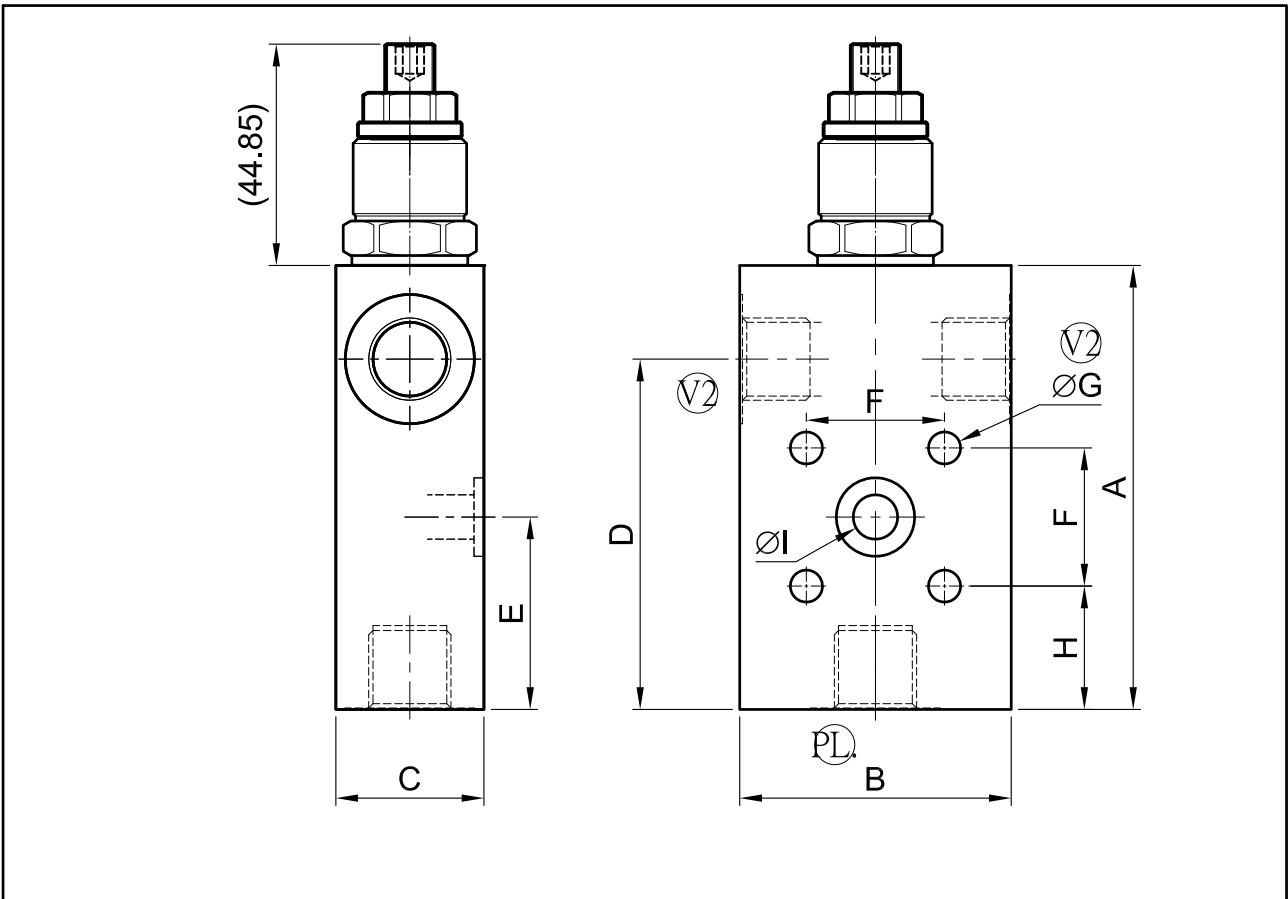


RATING DIAGRAM 流速表



Qnom (L/min)	Pmax (Bar)	Pilot ratio
50	350	4:1

DIMENSIONS (mm) 尺寸



Type	A	B	C	D	E	F	G	H	I	V2	PL.
COCS-EJ-38-02-FA-P4	90	55	30	71	39	28	6.5	25	9	3/8" BSPP	1/4" BSPP
COCS-EJ-12-02-FA-P4	90	65	35	71	39	28	6.5	25	9	1/2" BSPP	1/4" BSPP

COCS-EJ-38-02-FA-P4

Pilot Ratio 4:1

导压比 4:1

Port Size

油孔尺寸
38=3/8" BSPP
12=1/2" BSPP

Opening Pressure

02=10-350BAR