



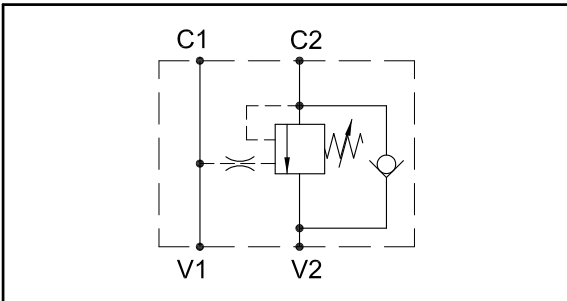
SYSTEM OF FLUID POWER

H B HYDRAULICS CO., LTD.

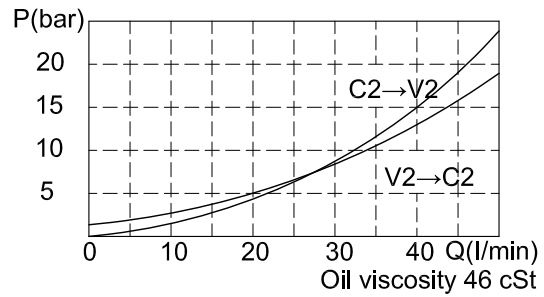
OVERCENTRE VALVES 抗衡阀

COCS-EJ-38-02-B-P4

HYDRAULIC DIAGRAM 油路符号

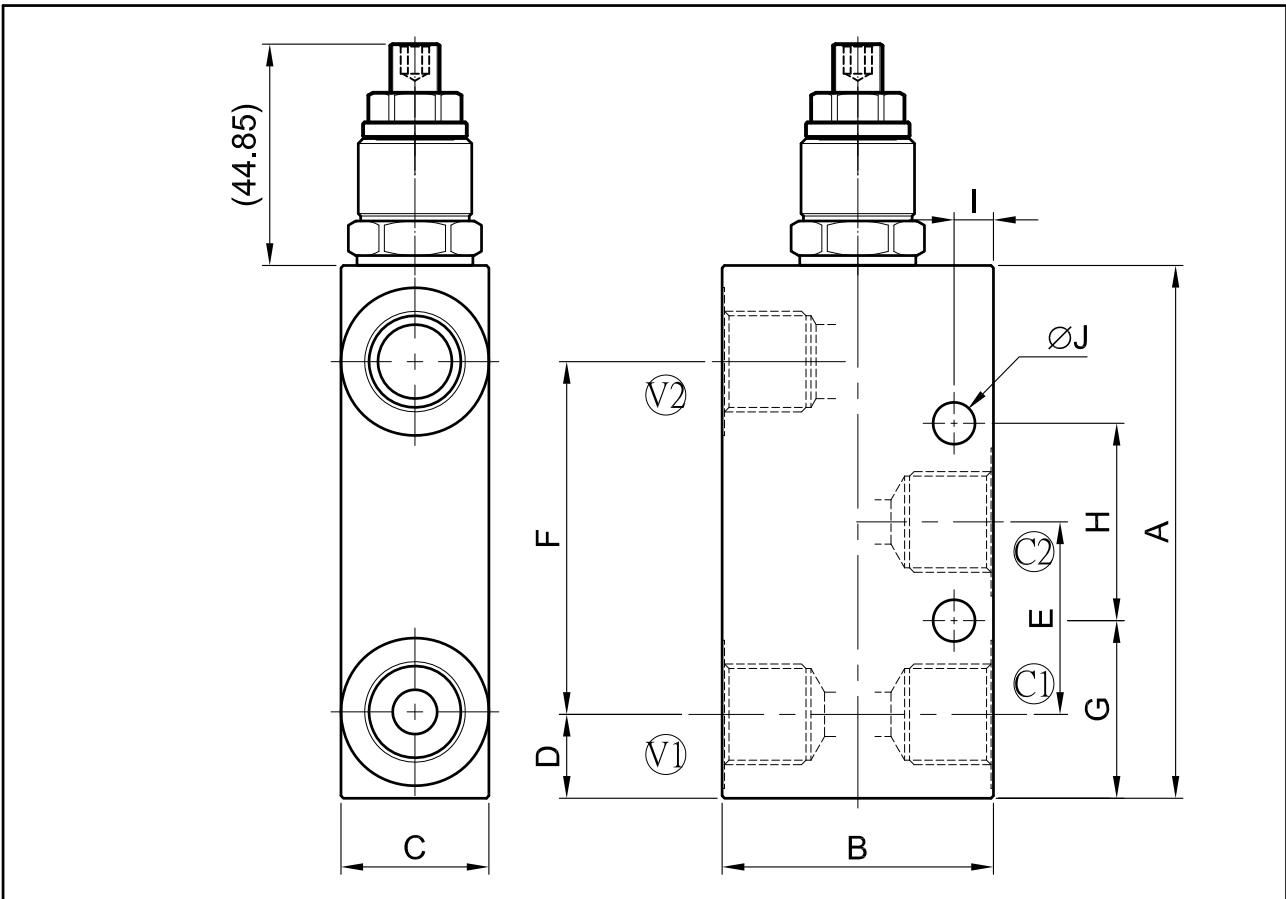


RATING DIAGRAM 流速表



Qnom (L/min)	Pmax (Bar)	Pilot ratio
50	350	4:1

DIMENSIONS (mm) 尺寸



Type	A	B	C	D	E	F	G	H	I	J	C1,V2 C2,V2
COCS-EJ-38-02-B-P4	108	55	30	17	39	71.5	36	40	8	8.5	3/8" BSPP
COCS-EJ-12-02-B-P4	108	65	35	17	39	71.5	36	40	8	8.5	1/2" BSPP

COCS-EJ-38-02-B-P4

Pilot Ratio 4:1

导压比 4:1

Port Size

油孔尺寸
38=3/8" BSPP
12=1/2" BSPP

Opening Pressure

02=10-350BAR