



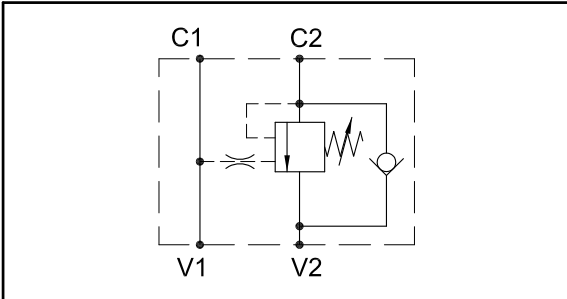
SYSTEM OF FLUID POWER

H B HYDRAULICS CO., LTD.

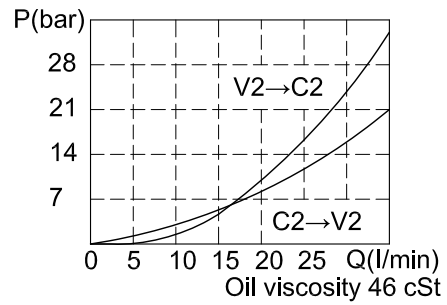
OVERCENTRE VALVES 抗衡阀

C0CS-CE-14-02-B-P4

HYDRAULIC DIAGRAM 油路符号

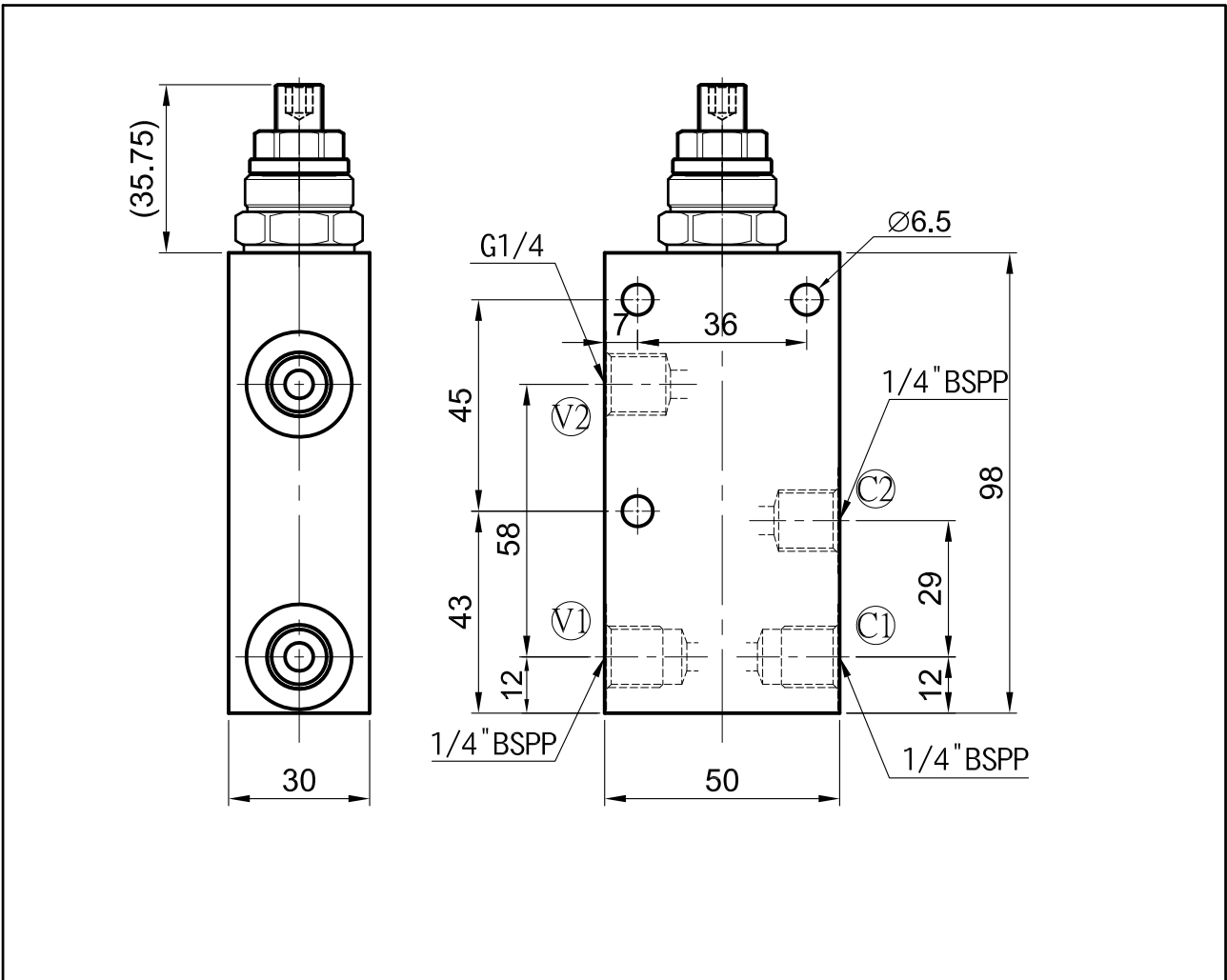


RATING DIAGRAM 流速表



Qnom (L/min)	Pmax (Bar)	Pilot ratio
35	350	4:1

DIMENSIONS ( mm ) 尺寸



C0CS-CE-14-02-B-P4

<p>Port Size 油孔尺寸 14=1/4" BSPP</p>	<p>Opening Pressure 02=10-350BAR</p>	<p>Pilot Ratio 4:1 导压比 4:1</p>
--	--	------------------------------------