



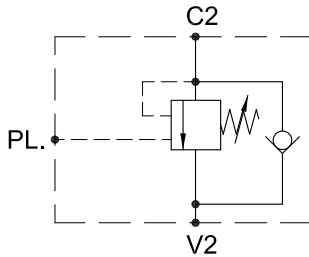
SYSTEM OF FLUID POWER

H B HYDRAULICS CO., LTD.

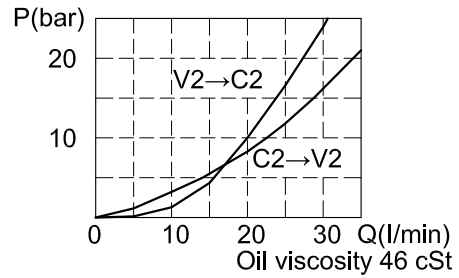
OVERCENTRE VALVES 抗衡阀

C0CS-CE-14-02-A-P4

HYDRAULIC DIAGRAM 油路符号

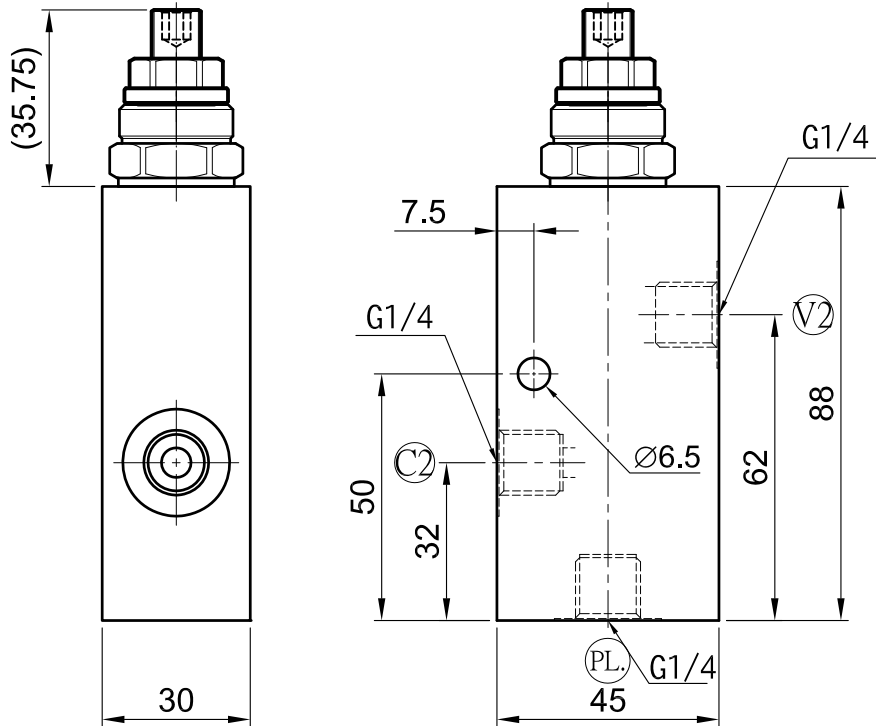


RATING DIAGRAM 流速表



Qnom (L/min)	Pmax (Bar)	Pilot ratio
35	350	4:1

DIMENSIONS ( mm ) 尺寸



C0CS-CE-14-02-A-P4

Pilot Ratio 4:1

导压比 4:1

Port Size

油孔尺寸  
14=G1/4

Opening Pressure

02=10-350BAR