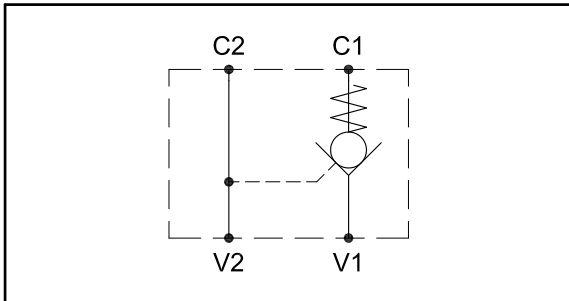


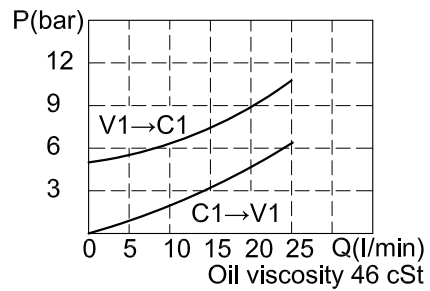
PILOT CHECK VALVES 引导式单孔止回阀

CPCS-03

HYDRAULIC DIAGRAM 油路符号

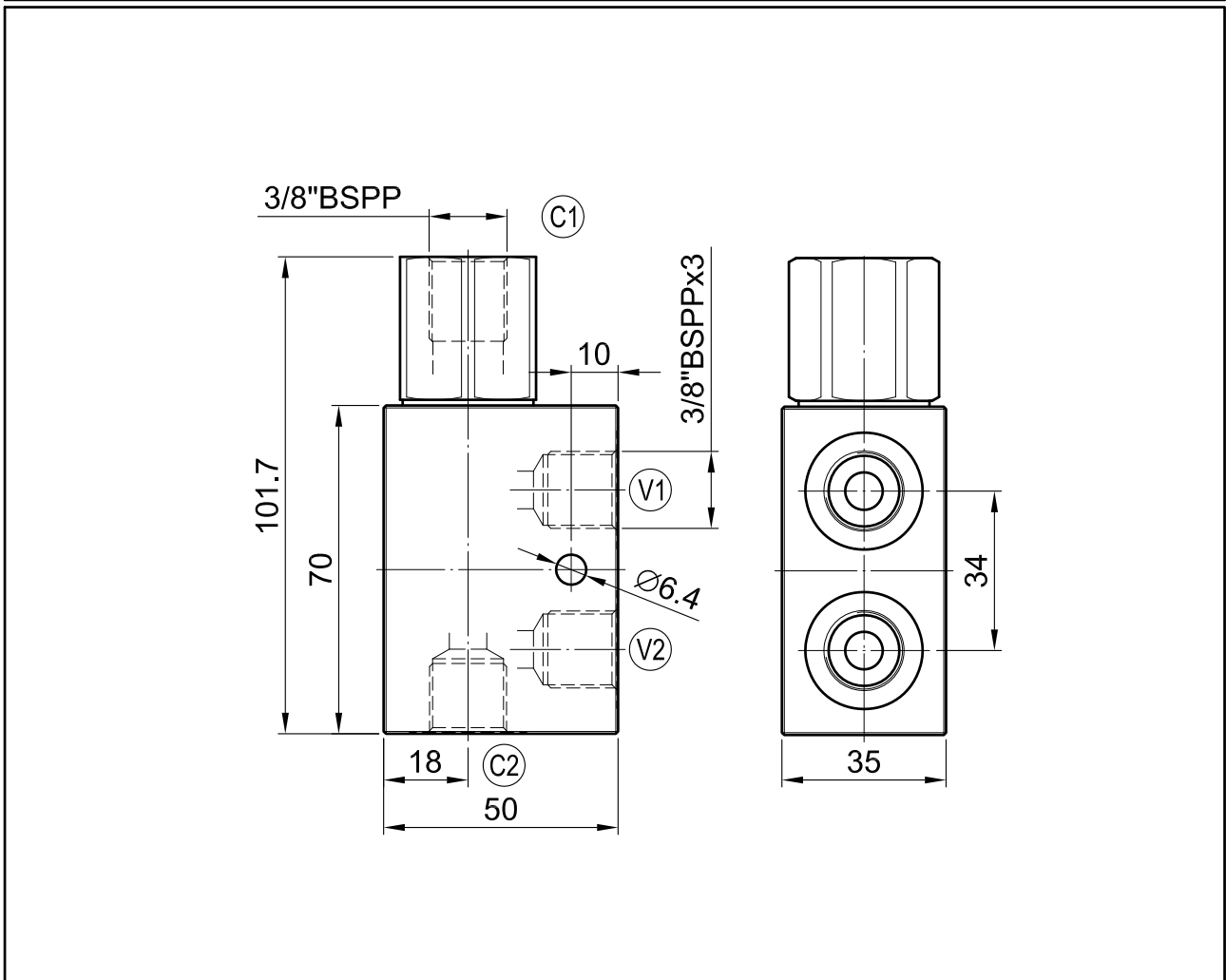


RATING DIAGRAM 流速表



Qnom (L/min)	Pmax (Bar)	Pilot ratio
35	350	4:1

DIMENSIONS (mm) 尺寸



CPCS-03-P4

Port Size
油孔尺寸
03=3/8" BSPP

Pilot Ratio 4:1
导压比 4:1