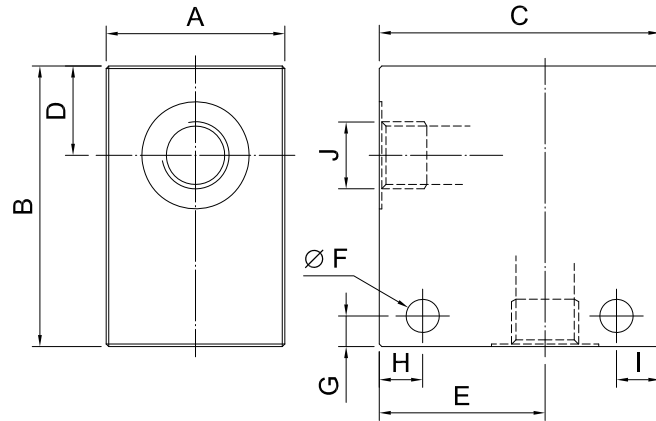




SYSTEM OF FLUID POWER

LINE BODY 阀体

□□-02

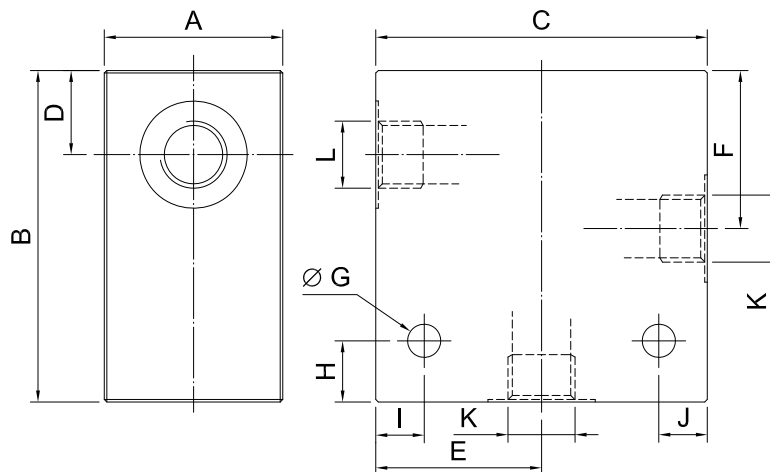


Dimensions (mm)

CODE NUMBER 代号 (CAVITIES 阀口)	A	B	C	D	E	∅F	G	H	I	J
08-02	35	55	55	15	32.5	6.5	6	8.5	8.5	G 1/4
10-02	40	65	65	19	37.5	6.5	6	8.5	8.5	G 3/8
12-02	45	85	75	25	42.5	8.5	8	10.5	10.5	G 1/2

LINE BODY 阀体

□□-03



Dimensions (mm)

CODE NUMBER 代号 (CAVITIES 阀口)	A	B	C	D	E	F	∅G	H	I	J	K	L
08-03	35	65	65	14.5	32.5	30	6.5	12	9.5	9.5	G 1/4	G 1/4
10-03	40	70	65	18.5	32.5	34.5	6.5	12	9.5	9.5	G 3/8	G 3/8
12-03	45	105	75	26	37.5	53	8.5	14	11	11	G 1/2	G 1/2
ST2A	50	80	65	13	43	36	6.5	12	9.5	9.5	G 3/4	G 1/4
ST11A	50	80	65	13	43	36	6.5	12	9.5	9.5	G 1/2	G 1/4
ST17A	55	105	85	18	50	47	8.5	14	11	11	G 3/4	G 1/4